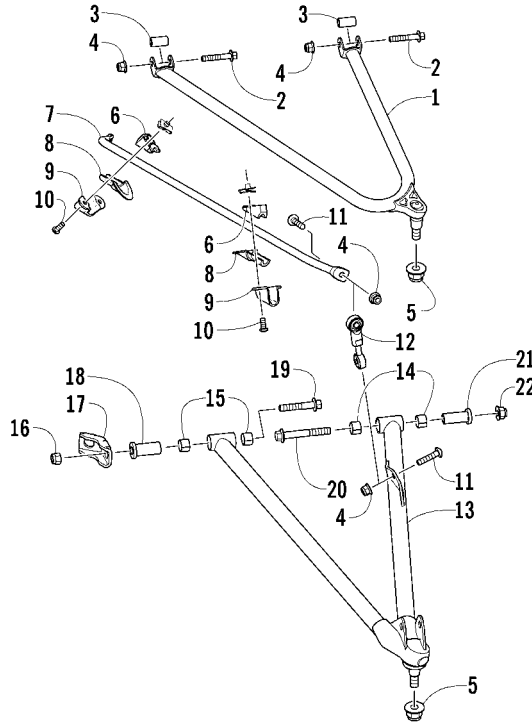


SKI AND SPINDLE ASSEMBLY

0747-386

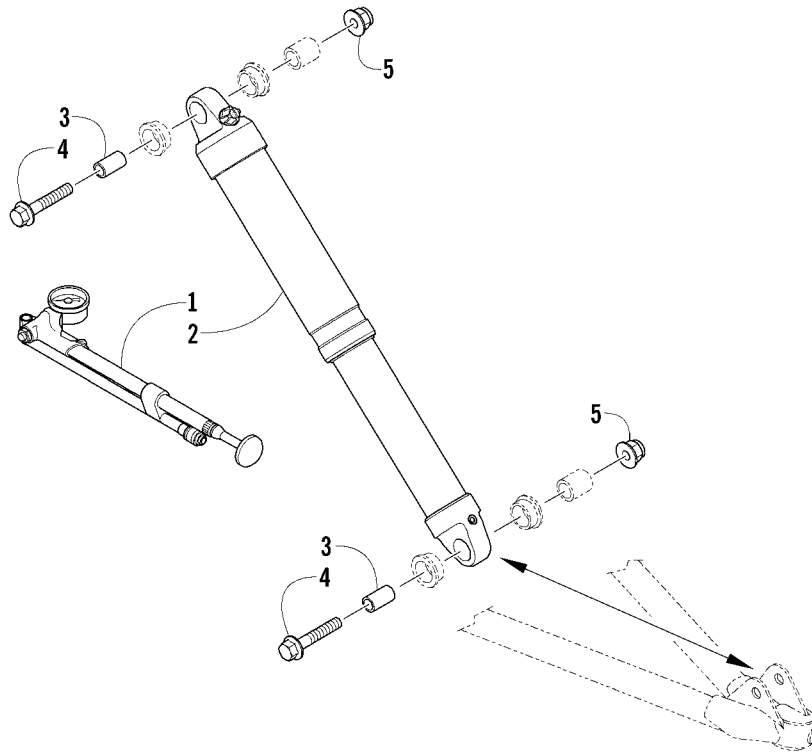
Ref	Part No.	New	Qty	Description	Ref	Part No.	New	Qty	Description
1	3703-214	X	1	Spindle, Steering - Right - Black (inc. 2)	10	8427-602		4	Nut, Lock
	3703-215	X	1	Spindle, Steering - Left - Black (inc. 2)	11	8476-625		2	Screw, Machine
2	0603-158		4	● Bearing	12	8476-650		2	Screw, Machine
3	2603-813		2	Axle, Spindle	13	0703-871		2	Wearbar
4	2603-208		2	Spacer	14	8047-486		8	Nut, Lock
5	0621-728	X	2	Decal, Spindle	15	0423-744		2	Nut, Lock
6	3603-237		2	Damper, Ski	16	1623-801		4	Washer
7	3603-236		2	Ski, Plastic - Black	17	0123-458		2	Pin, Cotter
8	2603-746		4	Insert	18	1623-781		2	Screw, Cap
9	2603-950		2	Handle, Plastic - Black					



A-ARM AND SWAY BAR ASSEMBLY

0745-741

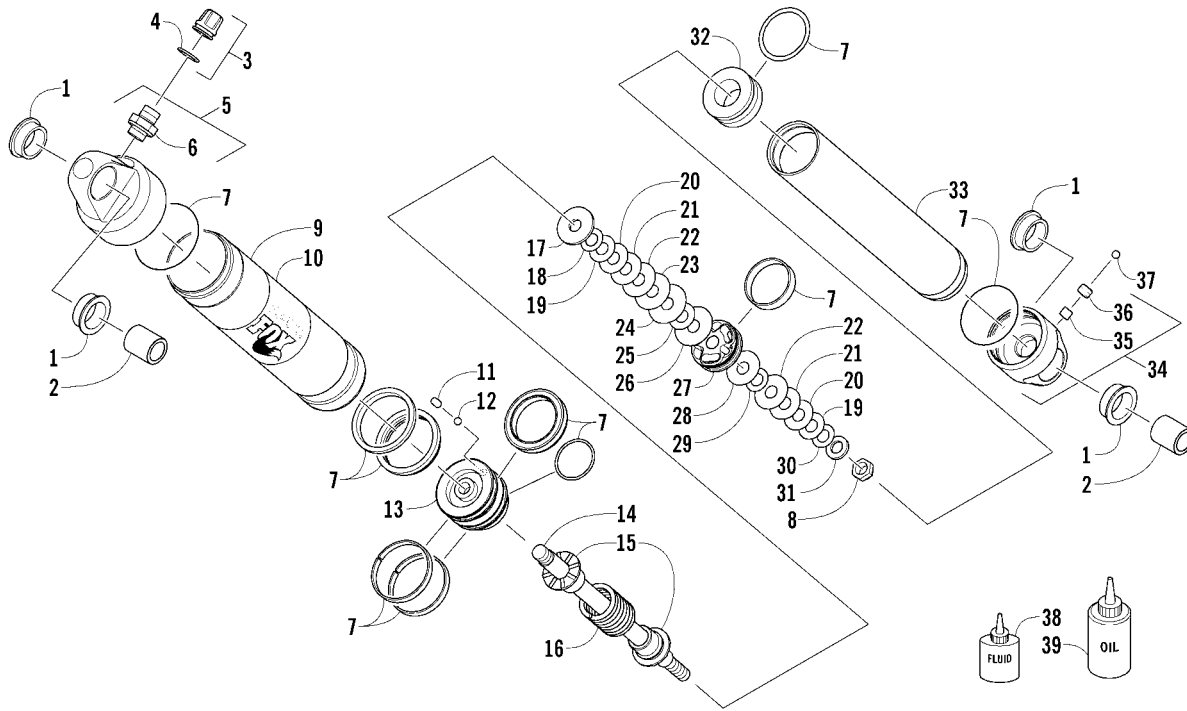
Ref	Part No.	New Qty	Description	Ref	Part No.	New Qty	Description
1	2703-786	1	A-Arm, Upper Right - Black	12	2603-893	2	Link, Sway Bar
	2703-787	1	A-Arm, Upper Left - Black	13	3703-124	1	A-Arm, Lower Right - Black (inc. 14-15)
2	8408-845	4	Screw, Cap		3703-125	1	A-Arm, Lower Left - Black (inc. 14-15)
3	2603-841	4	Axle	14	1603-895	4	● Bearing
4	8427-802	8	Nut, Lock	15	2603-911	4	● Bearing
5	8427-202	4	Nut, Lock	16	1623-965	2	Nut, Lock
6	2603-944	2	Bushing	17	2603-909	1	Brace, Lower A-Arm
7	2703-615	1	Bar, Sway	18	2603-916	2	Axle, Inner - Lower A-Arm - Front
8	2603-945	2	Bushing	19	1623-953	2	Screw, Cap
9	2603-857	2	Bracket, Mounting - Sway Bar	20	8409-075	2	Screw, Cap
10	8468-621	4	Screw, Machine	21	2603-543	2	Axle, Lower A-Arm - Rear
11	8476-830	4	Screw, Machine	22	8427-002	2	Nut, Lock



SHOCK ABSORBER ASSEMBLY

0747-263

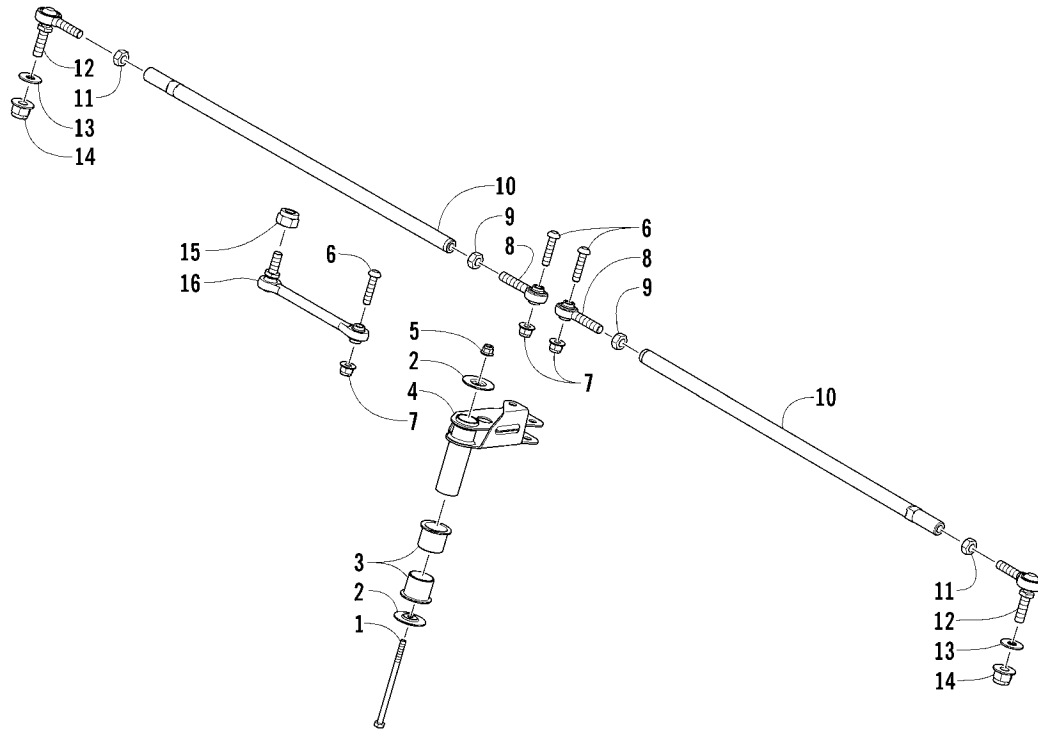
Ref	Part No.	New	Qty	Description	Ref	Part No.	New	Qty	Description
1	2603-614		1	Pump, Air - Shock	4	8408-050		4	Screw, Cap
2	3703-255	X	2	Shock, Ski	5	8427-002		4	Nut, Lock
3	3604-109		4	Sleeve					



FRONT SUSPENSION SHOCK ABSORBER

0747-264

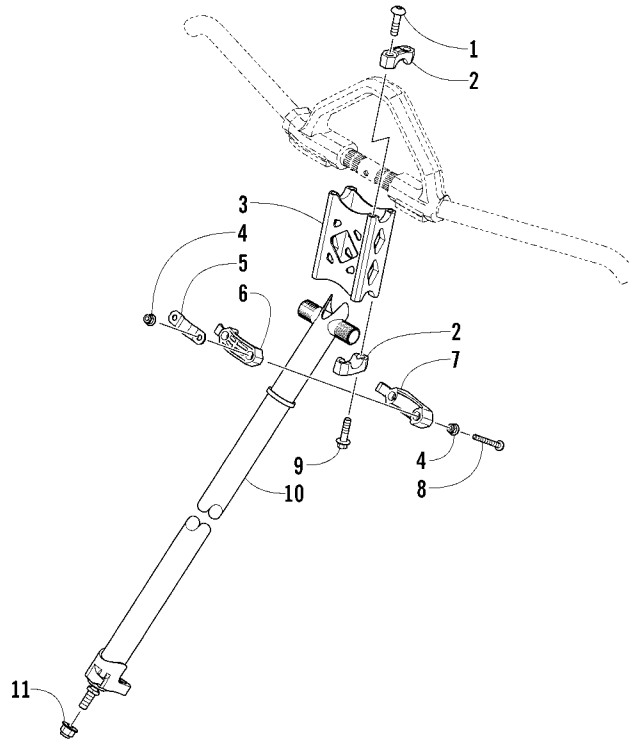
Ref	Part No.	New	Qty	Description	Ref	Part No.	New	Qty	Description
-	3703-255	X	1	Complete Shock Absorber	20	0603-338		2	Valve, 0.900 x 0.010 in.
1	1604-222		4	Bushing	21	0603-341		2	Valve, 1.000 x 0.010 in.
2	2604-223		2	Sleeve	22	0603-882		2	Valve, 1.100 x 0.012 in.
3	3603-334	X	1	Cap, Air Valve (inc. 4)	23	0603-347		1	Valve, 1.250 x 0.010 in.
4	3603-294	X	1	● O-Ring	24	0603-891		1	Valve, 1.300 x 0.012 in.
5	3603-333	X	1	End Cap, Shock (inc. 6)	25	0603-879		1	Valve, 0.800 x 0.012 in.
6	2603-511		1	● Valve, Air	26	0603-349		1	Valve, 1.300 x 0.008 in.
7	3603-293	X	1	Kit, Seal/Cap Rebuild (inc. 8)	27	2603-990		1	Piston, 0.093 in. - Orifice
8	3603-018	X	1	● Nut, Lock	28	0603-343		1	Valve, 1.100 x 0.008 in.
9	3603-290	X	1	Body, Shock - Upper	29	0603-330		1	Valve, 0.700 x 0.006 in.
10	3603-336	X	1	Decal, Shock	30	0603-332		1	Valve, 0.700 x 0.010 in.
11	1603-940		1	Screw, Set	31	0603-389		1	Washer, Backup
12	1604-315		1	Ball, Bleed	32	3603-023	X	1	Piston, Floating w/O-Ring
13	3603-291	X	1	Bearing - Assembly	33	3603-286	X	1	Body, Shock - Lower
14	2603-954		1	Rod, Shock	34	3603-332	X	1	End Cap, Shock (inc. 35-36)
15	2603-522		2	Guide, Spring	35	1604-428		1	● Plug, Rubber - Valve
16	2603-656		1	Spring	36	2603-338		1	● Screw, Set
17	0603-540		1	Washer, Top Out	37	2603-337		1	Ball, Air Valve
18	0603-878		1	Valve, 0.700 x 0.012 in.	38	4639-012	AR		Fluid, Float Shock - 8 oz
19	0603-335		2	Valve, 0.800 x 0.010 in.	39	5639-530	AR		Oil, Shock - 1 qt



TIE ROD ASSEMBLY

0747-303

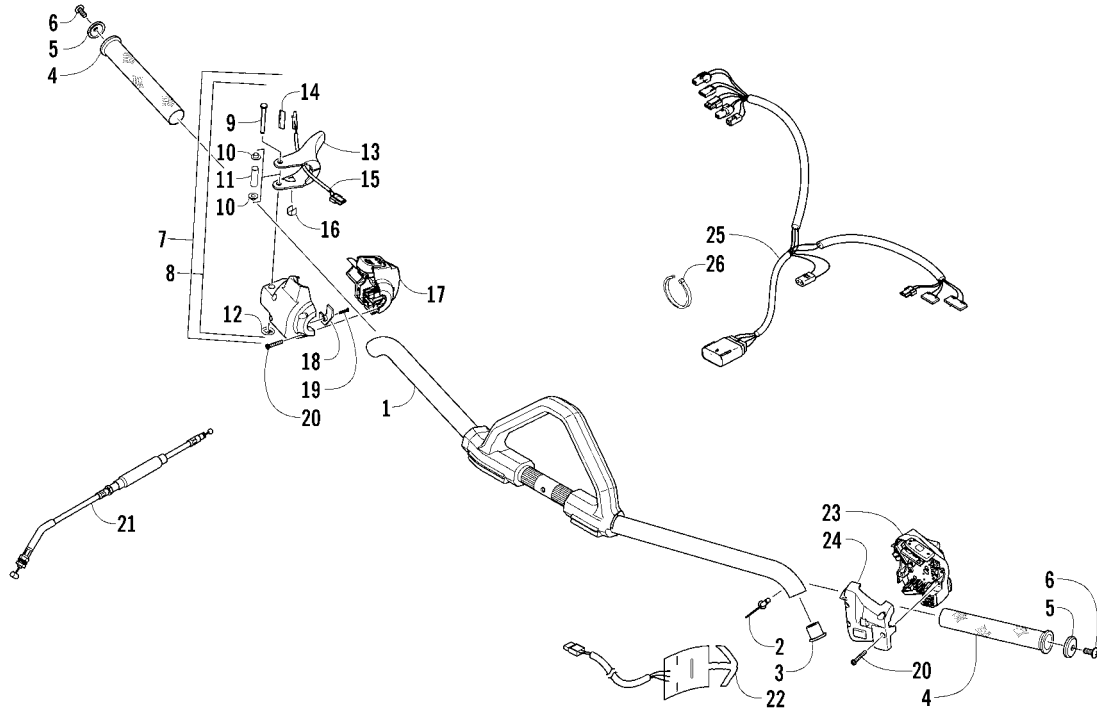
Ref	Part No.	New	Qty	Description	Ref	Part No.	New	Qty	Description
1	8402-600		1	Screw, Cap	9	8420-002		2	Nut, Hex - Right-Hand Thread
2	1623-807		2	Washer	10	0605-477		2	Tube, Tie Rod - Spindle
3	2603-852		2	Bushing	11	0423-013		2	Nut, Hex - Left-Hand Thread
4	1705-488	X	1	Arm, Steering	12	1605-019		2	Ball Joint, Steering - Left-Hand Thread
5	8427-602		1	Nut, Lock	13	1623-803		2	Washer
6	2623-026	X	3	Screw, Machine	14	8427-002		2	Nut, Lock
7	8427-802		3	Nut, Lock	15	8422-002		1	Nut, Lock
8	1605-032		2	Ball Joint, Tie Rod - Right-Hand Thread	16	1605-072	X	1	Tie Rod, Steering



STEERING POST ASSEMBLY

0747-304

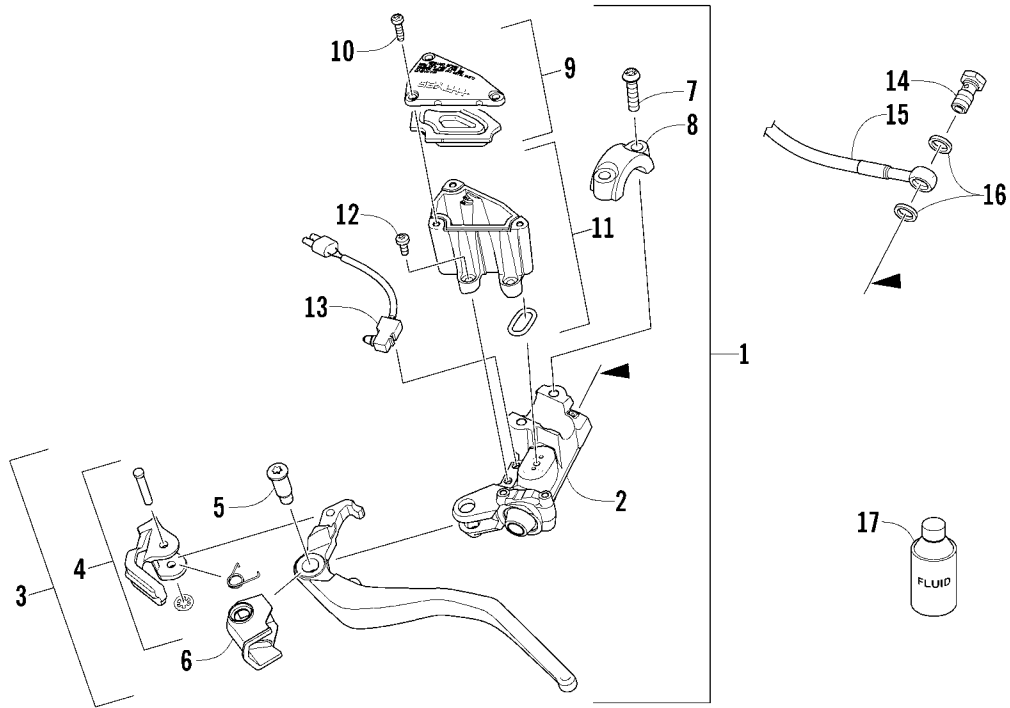
Ref	Part No.	New	Qty	Description	Ref	Part No.	New	Qty	Description
1	8476-830		4	Screw, Machine	7	1605-128	X	1	Block, Mounting - Steering Post
2	1605-118		4	Cap, Riser Block	8	2623-079	X	2	Screw, Machine
3	1605-073		1	Block, Riser	9	8408-830		4	Screw, Cap
4	8427-602		4	Nut, Lock	10	1705-309		1	Post, Steering
5	0605-998		1	Plate, Retaining	11	2623-076	X	1	Nut, Lock w/Washer
6	1605-127	X	1	Block, Mounting - Steering Post					



HANDLEBAR AND CONTROLS

0746-208

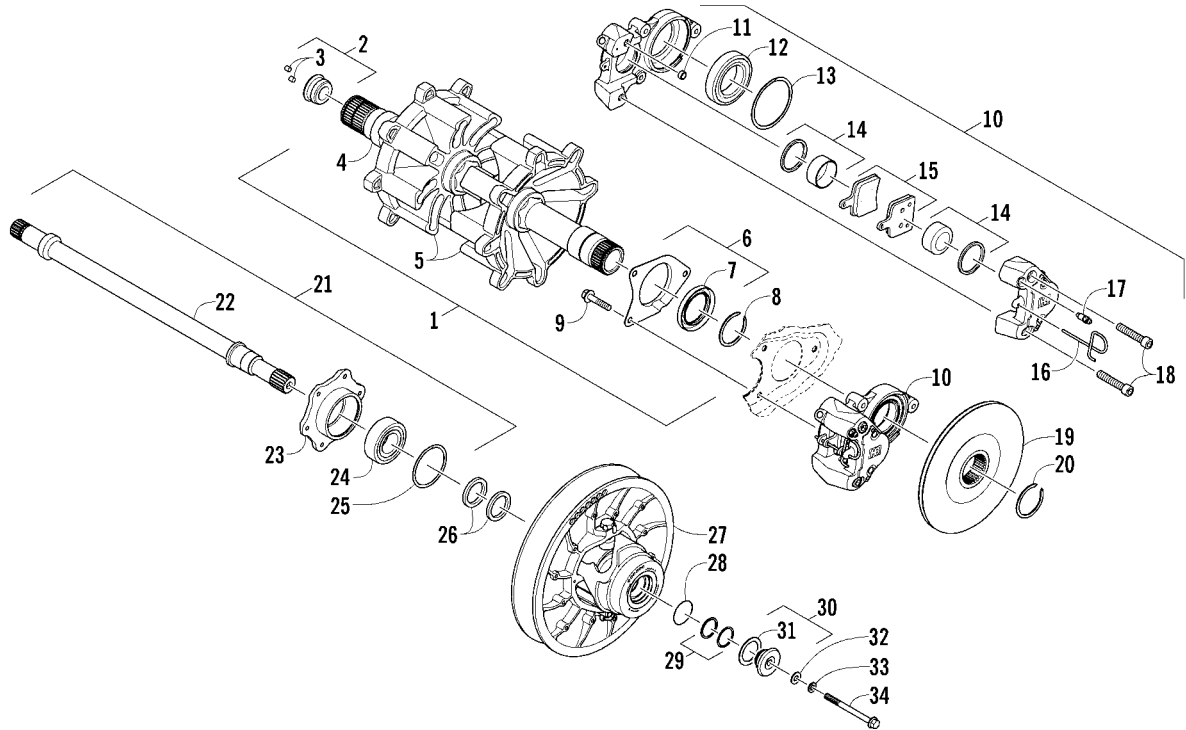
Ref	Part No.	New Qty	Description	Ref	Part No.	New Qty	Description
1	1705-390	1	Handlebar (inc. 2-3)	14	0617-248	1	Pad, Insulator
2	8060-682	2	● Rivet	15	0609-827	1	Element, Thumbwarmer
3	0605-945	2	● Insert, Handlebar	16	0609-595	1	Clip, Retaining
4	4606-945	2	Grip, Handlebar	17	0609-880	1	Control, Throttle - Front
5	1623-754	2	Washer, Backing	18	0609-792	1	Cover, Connector
6	1623-618	2	Screw, Self-Tapping	19	0609-793	1	Screw, Machine
7	0609-888	1	Control, Throttle - Rear (inc. 8-13)	20	0609-791	8	Screw, Self-Tapping
8	0609-859	1	● Kit, Throttle Lever Mounting (inc. 9-12)	21	0687-223	1	Cable, Throttle
9	-	1	●● Axle, Lever - Throttle - Included in Kit	22	0609-938	X	1 Element, Handwarmer - Right
10	-	2	●● Cap, Lever Axle - Included in Kit	23	0609-929	X	1 Element, Handwarmer - Left
11	-	1	●● Spacer, Lever Axle - Included in Kit	24	0609-883	1	Control, Dimmer - Front
12	0123-766	1	●● Nut, Push - Included in Kit	25	1686-636	1	Control, Dimmer - Rear
13	0609-797	1	● Lever, Throttle	26	0123-811	AR	Harness, Handlebar
					0123-788	AR	Tie, Cable - 4 in.
							Tie, Cable - 8 in.



HYDRAULIC BRAKE CONTROL ASSEMBLY

0746-646

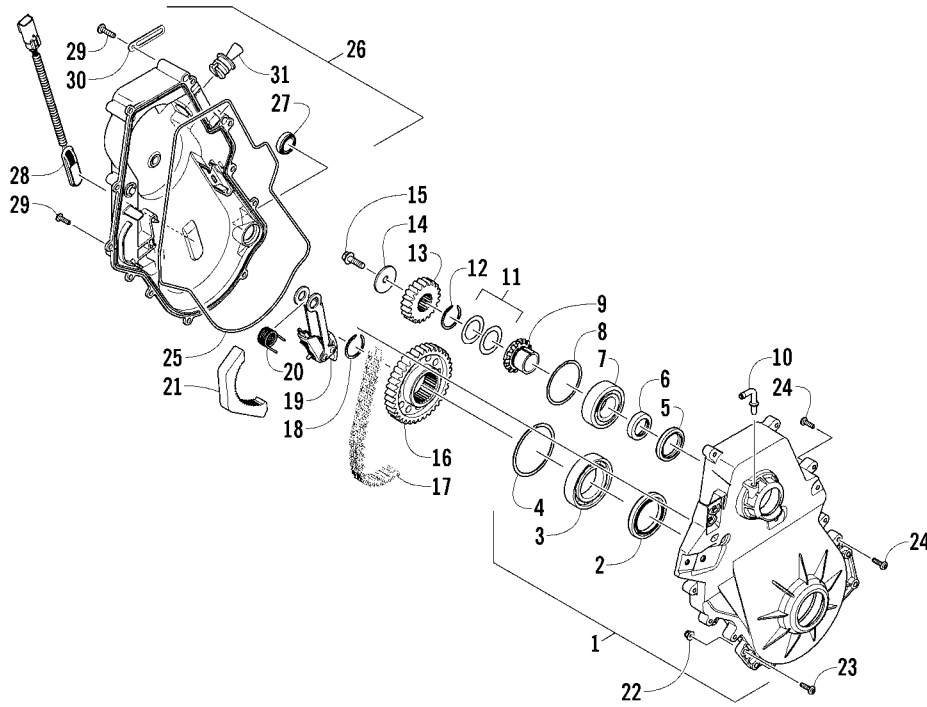
Ref	Part No.	New Qty	Description	Ref	Part No.	New Qty	Description
1	2602-477	1	Brake Assembly (inc. 2-13)	10	2602-430	3	● Screw, Self-Tapping
2	2602-479	1	● Piston Assembly	11	2602-433	1	● Reservoir (inc. 12)
3	2602-427	1	● Lever, Brake - Assembly (inc. 4-6)	12	2602-519	3	●● Screw, Self-Tapping
4	2602-428	1	●● Lock, Brake Lever - Kit	13	2602-432	1	● Switch, Brake
5	2602-624	1	●● Screw, Shoulder	14	0423-413	2	Bolt, Banjo-Fitting
6	2602-625	1	●● Boot	15	2602-424	1	Brakeline, Hydraulic
7	1602-936	2	● Screw, Machine	16	0423-178	4	Washer, Crush
8	0502-869	1	● Clamp, Handlebar	17	5639-848	AR	Fluid, Brake - 12 oz
9	2602-429	1	● Cover, Reservoir				



DRIVE TRAIN SHAFTS AND BRAKE ASSEMBLIES

0747-376

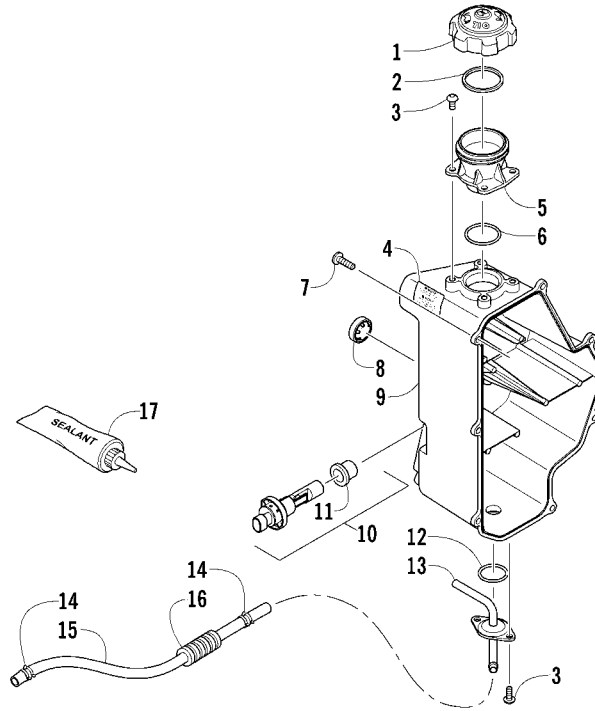
Ref	Part No.	New	Qty	Description	Ref	Part No.	New	Qty	Description
1	0728-212	X	1	Track, Drive - Assembly (inc. 2-8)	20	2602-473		1	Ring, Retaining
2	1702-072		1	● Plug, Magnetic - Assembly (inc. 3)	21	1702-197		1	Shaft, Driven - Assembly (inc. 22-25)
3	2602-211		2	●● Magnet	22	2602-378		1	● Shaft, Driven
4	2602-197		1	● Driveshaft	23	2602-454		1	● Hub, Bearing
5	2602-617	X	2	● Sprocket, Drive	24	2602-247		1	● Bearing
6	1702-206		1	● Plate, Retaining - Seal (inc. 7)	25	2602-236		1	● Ring, Retaining
7	1602-344		1	●● Seal	26	0648-816	AR		Washer, Shim (.030 in.)
8	2602-233		1	● Ring, Retaining		0648-817	AR		Washer, Shim (.060 in.)
9	8408-831		3	Screw, Cap		0648-818	AR		Washer, Shim (.090 in.)
10	2602-486		1	Caliper, Brake - Assembly (inc. 11-18)	27	0726-342	X	1	Clutch, Driven - Assembly
11	2602-411		1	● Seal	28	0648-441		1	O-Ring
12	2602-198		1	● Bearing	29	0648-715	AR		Washer, Shim (.030 in.)
13	2602-280		1	● Ring, Retaining		0648-716	AR		Washer, Shim (.060 in.)
14	2602-410		2	● Piston Set		0648-714	AR		Washer, Shim (.090 in.)
15	1702-245		1	● Pad, Brake - Set (inc. 16)	30	1702-114		1	Adjuster, Sheave (inc. 31)
16	2602-409		1	●● Pin, Retaining	31	0648-788		1	● Washer, Thrust
17	2602-408		1	● Fitting, Bleed	32	8450-127		1	Washer
18	2602-412		2	● Screw, Cap	33	8051-242		1	Washer, Lock
19	2602-249		1	Disc, Brake	34	8408-801	X	1	Screw, Cap



CHAIN CASE ASSEMBLY

0747-354

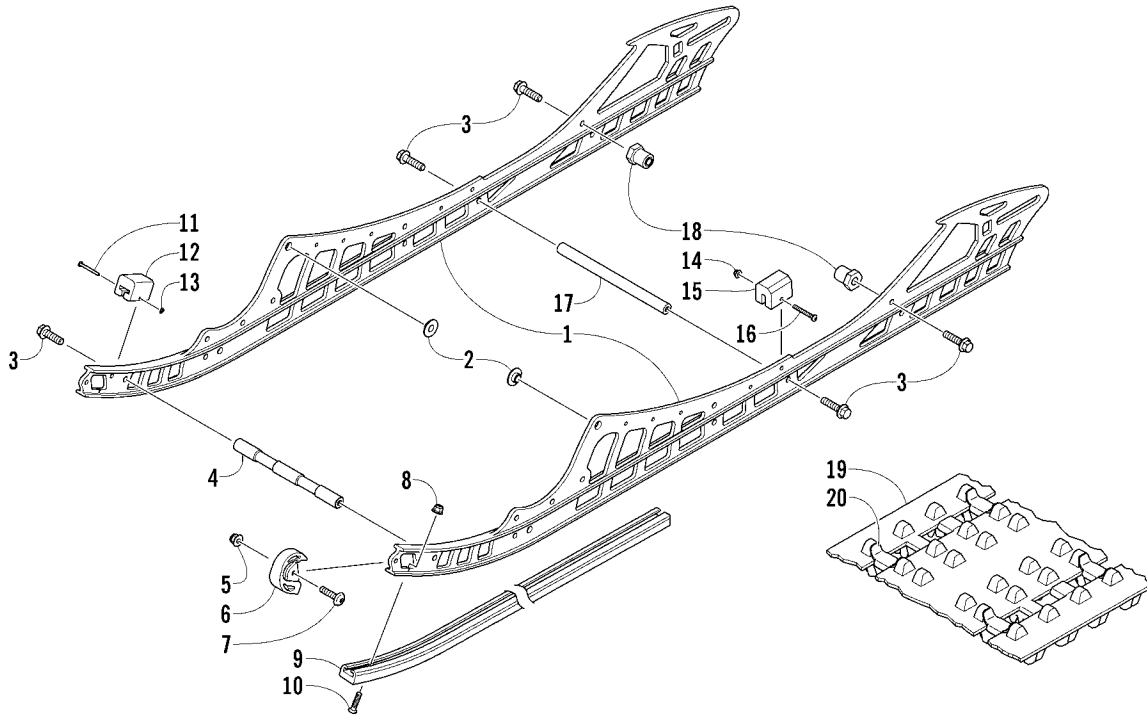
Ref	Part No.	New	Qty	Description	Ref	Part No.	New	Qty	Description
1	1702-348	X	1	Chain Case Assembly (inc. 2-10)	17	2602-370		1	Chain - 90P (13 Wide) (CCUSB)
2	2602-172		1	● Seal		2602-373		1	Chain - 90P (15 Wide) (CCOSB)
3	2602-281		1	● Bearing	18	2602-473		1	Ring, Retaining
4	2602-280		1	● Ring, Retaining	19	1702-319	X	1	Arm, Tensioner - Assembly
5	2602-204		1	● Seal	20	2602-336		1	Spring
6	2602-368		1	● Spacer	21	2602-230		1	Plate, Ratchet
7	2602-205		1	● Bearing	22	8427-602		4	Nut, Lock
8	2602-236		1	● Ring, Retaining	23	8476-630		4	Screw, Machine
9	2602-290		1	● Sleeve, Adapter	24	8468-622		6	Screw, Machine
10	2602-641	X	1	● Fitting, Elbow	25	2602-208		1	Seal, Chain Case
11	0623-118	AR		Washer, Shim (.030 in.)	26	1702-178		1	Cover, Chain Case (inc. 27-28)
	0623-119	AR		Washer, Shim (.075 in.)	27	2602-232		1	● Glass, Sight
12	2602-239		1	Ring, Retaining	28	0730-172		1	● Kit, Speedometer Sensor
13	2602-335		1	Sprocket - 19T (13 Wide) (CCUSB)	29	8468-626		11	Screw, Machine
	2602-666	X	1	Sprocket - 19T (15 Wide) (CCOSB)	30	1623-984	AR		Clamp, Routing
14	1623-038		1	Washer, Spring	31	2602-440		1	Plug, Fill
15	8408-826		1	Screw, Cap					
16	2602-364		1	Sprocket - 48T (13 Wide) (CCUSB)					
	2602-584	X	1	Sprocket - 50T (13 Wide) (CCOSB)					



OIL TANK ASSEMBLY

0746-663

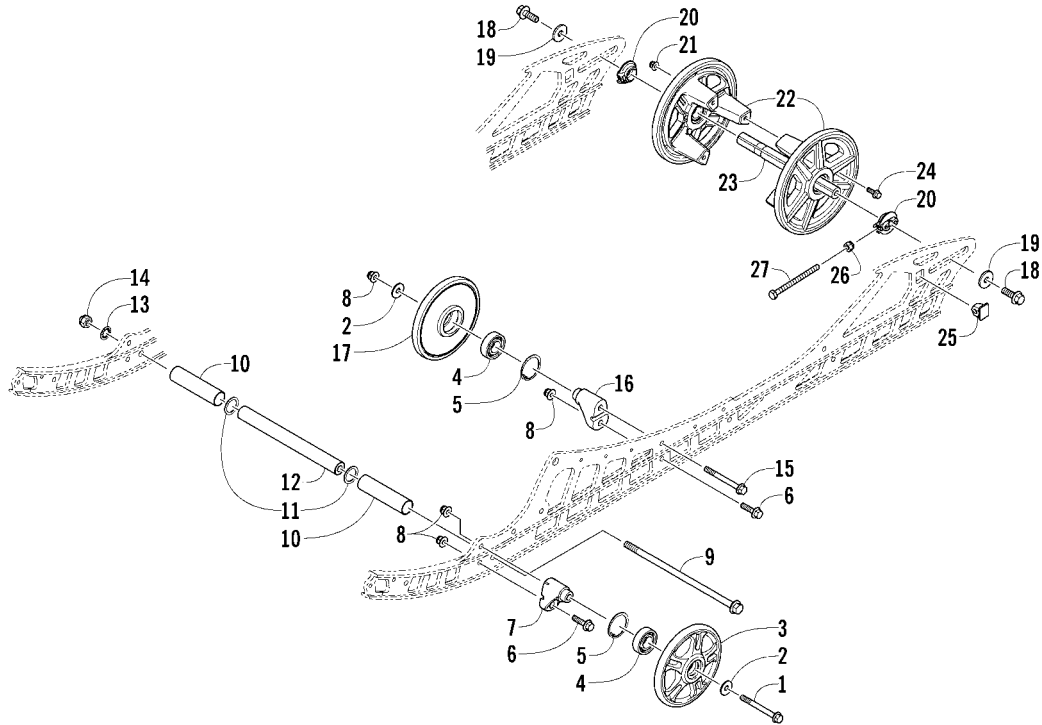
Ref	Part No.	New Qty	Description	Ref	Part No.	New Qty	Description
1	1670-365	1	Cap, Oil Tank (inc. 2)	10	0609-915	1	Sensor, Low Oil (inc. 11)
2	0109-733	1	● Seal, Cap - Oil Tank	11	0609-924	1	● Grommet
3	1623-969	6	Screw, Self-Tapping	12	0648-441	1	O-Ring
4	4611-532	1	Decal, Oil Tank	13	2670-229	1	Fitting, Outlet
5	2670-329	1	Neck, Oil Fill	14	1623-042	2	Clamp, Hose
6	1623-972	1	O-Ring	15	0610-692	AR	Hose - Green - 25 ft
7	1623-814	7	Screw, Self-Tapping		0610-693	AR	Hose - Green - 100 ft
8	2670-257	1	Glass, Sight	16	1619-345	AR	Conduit, Flexible - 3 ft
9	1770-019	1	Tank, Oil	17	1048-063	AR	Sealant - 70 ml



SLIDE RAIL AND TRACK ASSEMBLY

0747-309

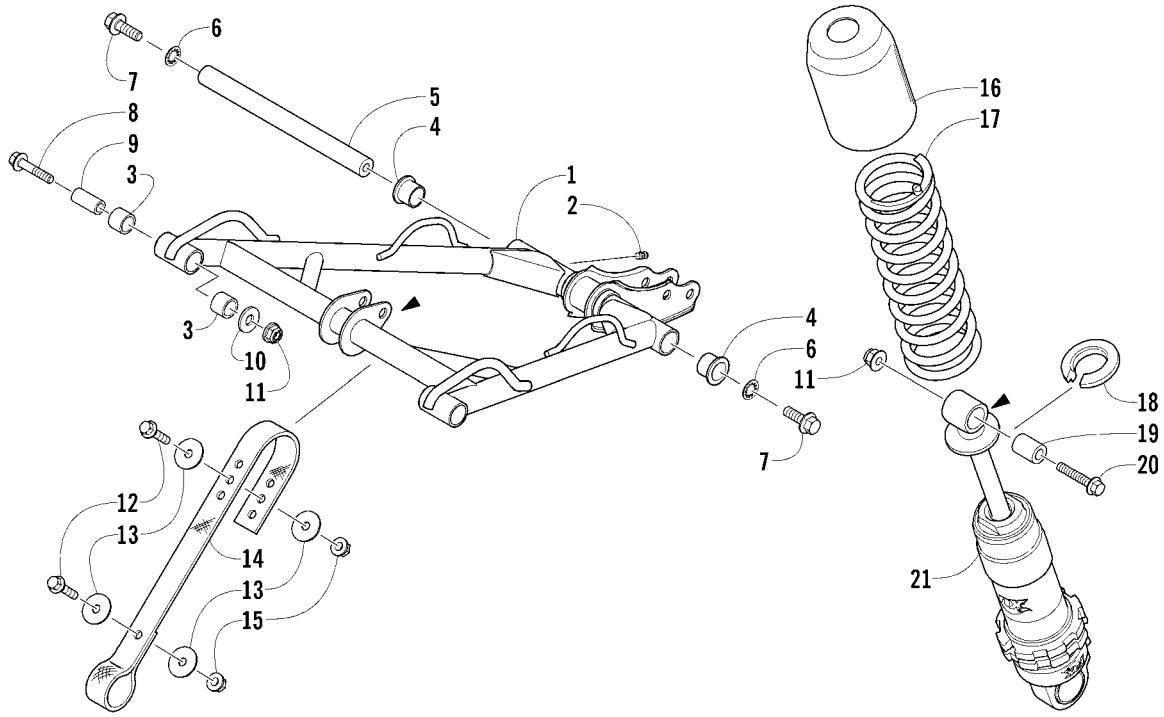
Ref	Part No.	New	Qty	Description	Ref	Part No.	New	Qty	Description
-	2704-399	X	1	Complete Skid Frame Assembly	11	0123-767		2	Rivet, Solid
1	3604-629		2	Rail, Formed	12	0104-631		2	Pad, Shock
2	3604-266		2	Insert, Rail	13	0123-766		2	Nut, Push
3	8408-826		6	Screw, Cap	14	8427-502		2	Nut, Lock
4	3604-630		1	Axle	15	1604-429		2	Pad, Shock
5	8427-602		2	Nut, Lock	16	8470-540		2	Screw, Machine
6	3604-836	X	2	End Cap, Slide Rail	17	3604-667		1	Axle
7	8476-625		2	Screw, Machine	18	3604-635		2	Bushing, Stop - Rear Arm
8	8047-366		2	Nut, Lock	19	2602-170		1	Track Assembly (inc. 20)
9	3604-714		2	Wearstrip - Black	20	2602-386		48	● Clip, Guide
10	0123-859		2	Screw, Machine					



IDLER WHEEL ASSEMBLY

0747-310

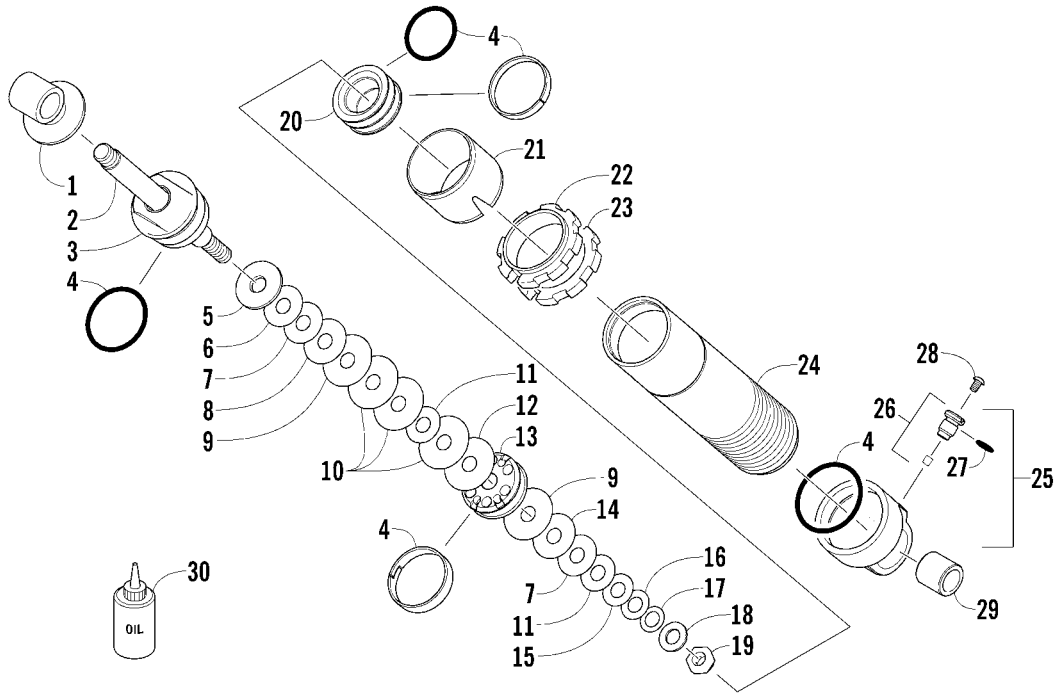
Ref	Part No.	New Qty	Description	Ref	Part No.	New Qty	Description
1	8408-870	2	Screw, Cap	15	8408-880	2	Screw, Cap
2	8450-133	4	Washer	16	3604-004	2	Block, Mounting - Idler Wheel
3	3604-386	2	Wheel, Idler - Black (inc. 4-5)	17	3604-807	2	Wheel, Idler (inc. 4-5)
4	3604-033	4	● Bearing	18	8408-031	2	Screw, Cap
5	0623-946	4	● Ring, Retaining	19	1623-931	2	Washer
6	8408-830	4	Screw, Cap	20	3604-641	2	Bushing, Adjuster
7	3604-207	2	Block, Mounting - Idler Wheel	21	8427-602	3	Nut, Lock
8	8427-802	8	Nut, Lock	22	3604-792	2	Wheel, Idler
9	1423-064	1	Screw, Cap	23	3604-640	1	Axle, Rear
10	3604-083	2	Spacer, Shock - Front Arm	24	8408-620	3	Screw, Cap
11	0623-912	2	Washer	25	3604-647	2	Adjuster, Track
12	3604-269	1	Axle	26	8422-802	2	Nut, Lock
13	1623-992	1	Washer, Internal Tooth Lock	27	1623-682	2	Screw, Cap
14	8422-002	1	Nut, Lock				



REAR SUSPENSION FRONT ARM ASSEMBLY

0747-311

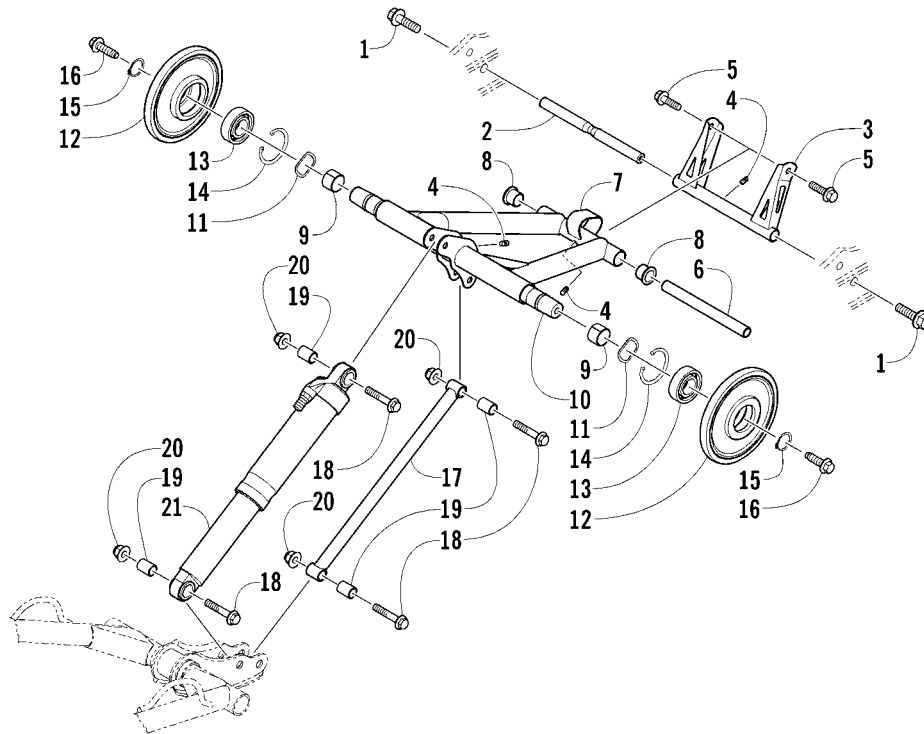
Ref	Part No.	New	Qty	Description	Ref	Part No.	New	Qty	Description
1	2704-068		1	Arm, Front Suspension - Black (inc. 2-4)	12	8408-630		4	Screw, Cap
2	1623-010		1	● Fitting, Grease	13	8450-109		8	Washer
3	0604-889		4	● Bushing	14	3604-459		2	Strap, Limiter
4	3604-028		2	● Bushing, Flared	15	8427-602		4	Nut, Lock
5	3604-634		1	Axle	16	0604-790		1	Cover, Shock
6	1623-992		2	Washer, Internal Tooth Lock	17	1704-236		1	Spring, Compression - Black
7	8413-031		2	Screw, Cap	18	3604-200		1	Retainer, Spring
8	8408-065		2	Screw, Cap	19	3604-273		1	Axle
9	3604-665		2	Axle	20	8408-045		1	Screw, Cap
10	8450-163		2	Washer	21	2704-406	X	1	Shock Absorber
11	8427-002		3	Nut, Lock					



REAR SUSPENSION FRONT ARM SHOCK ABSORBER

0747-312

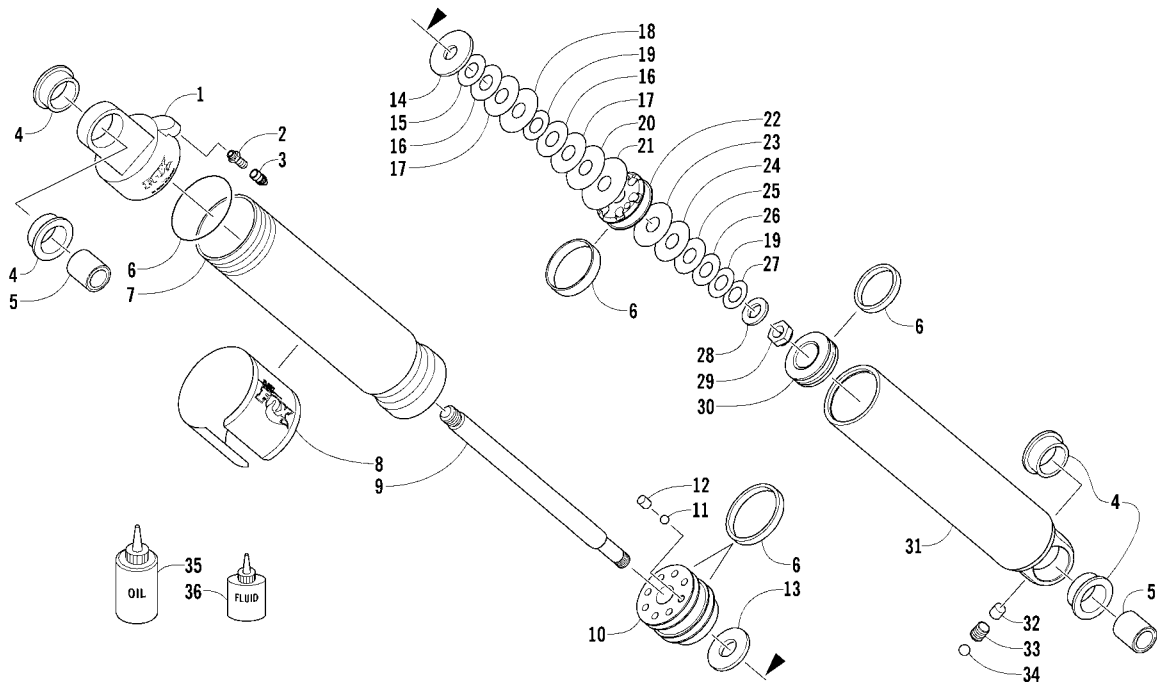
Ref	Part No.	New	Qty	Description	Ref	Part No.	New	Qty	Description
-	2704-406	X	1	Complete Shock Absorber	16	3603-092		1	Valve, 0.700 x 0.006 in.
1	3604-797		1	Eyelet, Shock	17	2603-015		1	Valve, 0.550 x 0.020 in.
2	3604-764		1	Rod, Shock	18	3604-775		1	Washer, Backup
3	3604-771		1	Bearing - Assembly	19	3604-739		1	Nut
4	2703-980		1	Kit, Seal/Rebuild	20	3604-772		1	Piston, Floating
5	3604-789		1	Washer, Top Out	21	3604-773		1	Sleeve, Wear
6	3603-122		1	Valve, 1.000 x 0.006 in.	22	2603-014		1	Nut, Adjuster
7	3603-124		2	Valve, 1.000 x 0.008 in.	23	3604-779		1	Collar, Locking - Adjuster Nut
8	3603-145		1	Valve, 1.100 x 0.010 in.	24	3604-777		1	Body, Shock
9	3603-175		2	Valve, 1.250 x 0.010 in.	25	2704-257		1	End Cap, Shock - Assembly (inc. 26-27)
10	3603-184		3	Valve, 1.300 x 0.008 in.	26	3604-751		1	● Valve, Pressure - Assembly (inc. 27)
11	3603-114		2	Valve, 0.900 x 0.008 in.	27	3604-733		1	●● O-Ring
12	3603-182		1	Valve, 1.300 x 0.006 in.	28	3604-750		1	Screw, Machine
13	2603-998		1	Piston, 0.063 in. - Orifice	29	3604-906	X	1	Bearing
14	3603-144		1	Valve, 1.100 x 0.008 in.	30	5639-530		AR	Oil, Shock - 1 qt
15	3603-104		1	Valve, 0.800 x 0.008 in.					



REAR SUSPENSION REAR ARM ASSEMBLY

0747-313

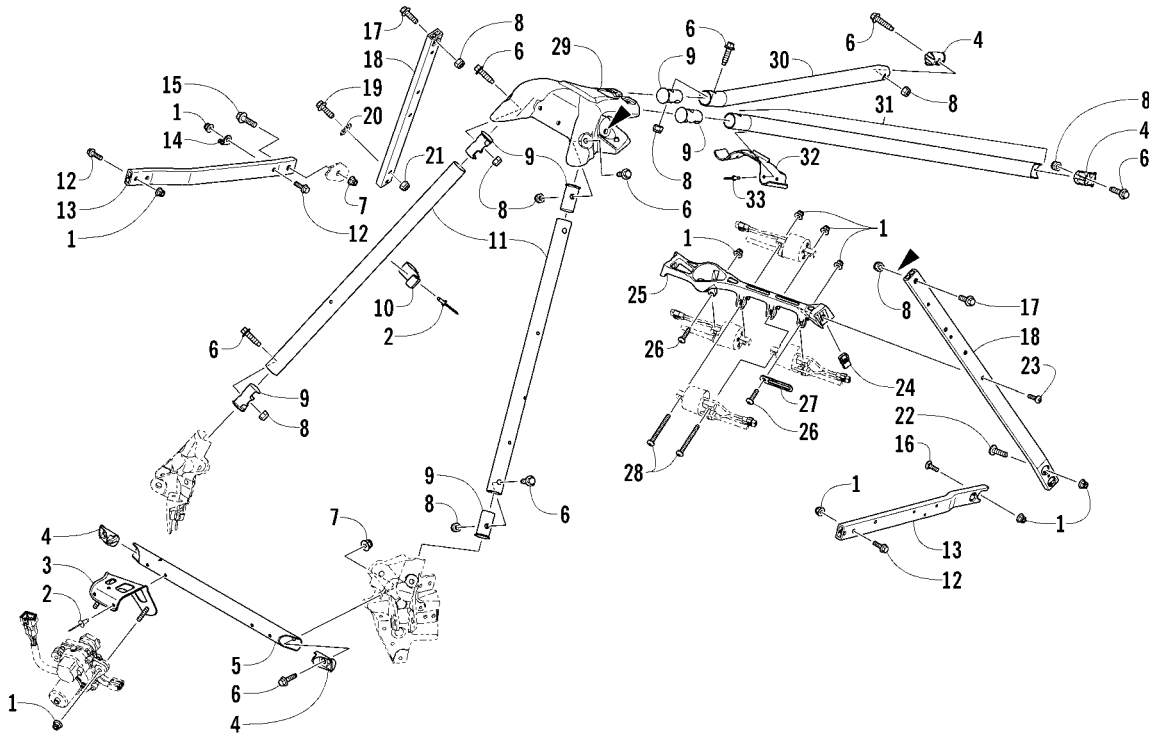
Ref	Part No.	New Qty	Description	Ref	Part No.	New Qty	Description
1	8408-826	2	Screw, Cap	11	1623-692	2	Washer, Wave
2	3604-673	1	Axle	12	2604-699	2	Wheel, Idler (inc. 13-14)
3	2704-076	1	Arm, Rear - Black (inc. one No. 4)	13	0107-598	2	● Bearing
4	1623-010	3	● Fitting, Grease	14	0123-798	2	● Ring, Retaining
5	8408-031	2	Screw, Cap	15	1623-690	2	Ring, Retaining
6	3604-638	1	Axle	16	1623-836	2	Screw, Cap
7	2704-073	1	Arm, Idler - Black (inc. two No. 4 and 8-9)	17	1704-724	1	Link, Rear Shock - Black
8	3604-028	2	● Bushing, Flared	18	8408-045	4	Screw, Cap
9	2604-852	2	● Bushing	19	3604-109	4	Sleeve
10	3604-636	1	Axle, Inner Carriage	20	8427-002	4	Nut, Lock
				21	2704-327	1	Shock Absorber



REAR SUSPENSION REAR ARM SHOCK ABSORBER

0746-838

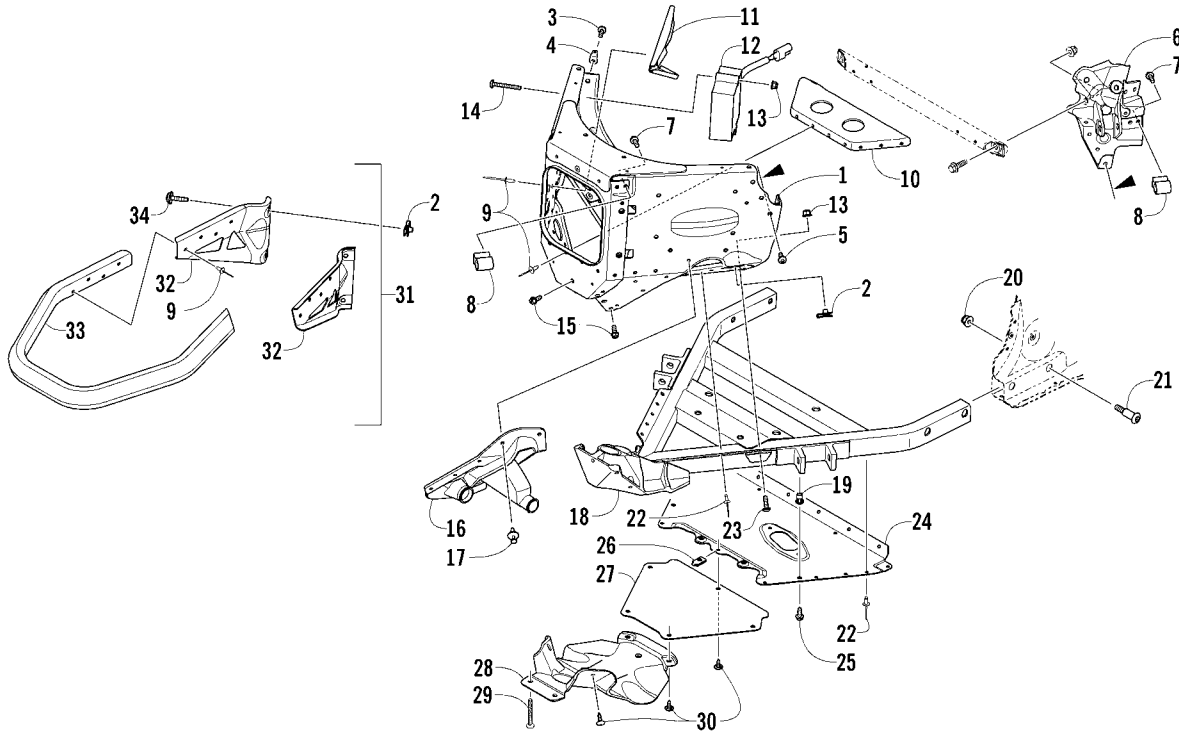
Ref	Part No.	New Qty	Description	Ref	Part No.	New Qty	Description
-	2704-327	1	Complete Shock Absorber	19	0603-335	2	Valve, 0.800 x 0.010 in.
1	3604-319	1	End Cap, Shock (inc. 2)	20	0603-345	1	Valve, 1.250 x 0.006 in.
2	2603-511	1	● Valve, Air	21	0603-348	1	Valve, 1.300 x 0.006 in.
3	2603-327	1	Cap, Air Valve	22	2603-810	1	Piston, 0.070 in. - Orifice
4	1604-222	4	Bushing	23	0603-883	1	Valve, 1.250 x 0.012 in.
5	2604-223	2	Sleeve	24	0603-344	1	Valve, 1.100 x 0.010 in.
6	2604-796	1	Kit, Seal/Cap Rebuild	25	0603-341	1	Valve, 1.000 x 0.010 in.
7	2603-722	1	Body, Shock - Upper	26	0603-338	1	Valve, 0.900 x 0.010 in.
8	2603-905	1	Decal, Shock	27	0603-332	1	Valve, 0.700 x 0.010 in.
9	3604-320	1	Rod, Shock	28	0603-389	1	Washer, Backup
10	2603-961	1	Bearing - Assembly	29	0603-301	1	Nut
11	1604-315	1	Ball, Bleed	30	2603-919	1	Piston, Floating
12	1603-940	1	Screw, Set	31	2603-335	1	Body, Shock - Lower
13	0603-386	1	Bumper, Internal - Top Out	32	1604-428	1	Plug, Rubber - Valve
14	0603-540	1	Washer, Top Out	33	2603-338	1	Screw, Set
15	0603-337	1	Valve, 0.900 x 0.008 in.	34	2603-337	1	Ball, Air Valve
16	0603-340	2	Valve, 1.000 x 0.008 in.	35	5639-530	AR	Oil, Shock - 1 qt
17	0603-343	2	Valve, 1.100 x 0.008 in.	36	4639-012	AR	Fluid, Float Shock - 8 oz
18	0603-346	1	Valve, 1.250 x 0.008 in.				



STEERING SUPPORT ASSEMBLY

0747-363

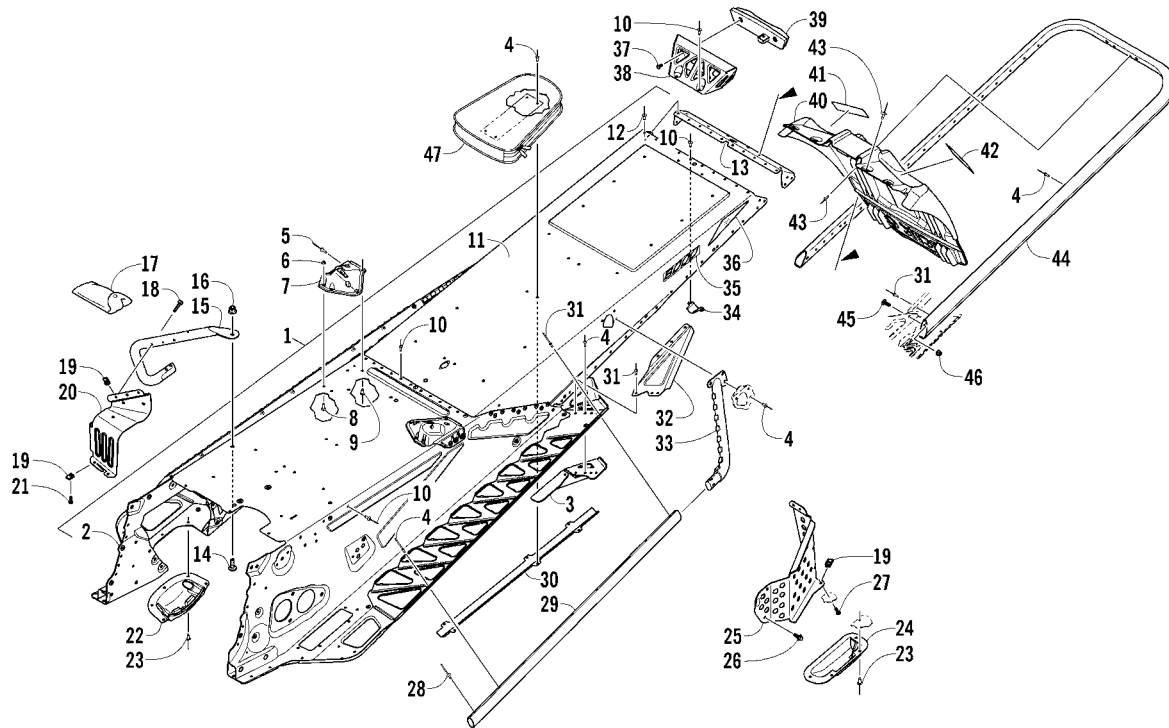
Ref	Part No.	New	Qty	Description	Ref	Part No.	New	Qty	Description
1	8427-602		15	Nut, Lock	18	0607-252		1	Support, Side - Rear Right
2	8060-686		5	Rivet	1607-393	X	1	Support, Side - Rear Left	
3	4706-845		1	Bracket, Mounting - Servomotor	19	8408-625		2	Screw, Cap
4	1607-002		4	Insert	20	8053-212		1	Washer, External Tooth Lock
5	1707-582		1	Support, Shock Mount Bracket	21	8422-602		2	Nut, Lock
6	1623-982		10	Screw, Cap	22	8476-616		2	Screw, Machine
7	8427-802		3	Nut, Lock	23	8476-626		2	Screw, Machine
8	8422-802		10	Nut, Lock	24	0423-577		2	Clip, U-Nut
9	1607-094		6	Insert	25	0708-626	X	1	Bracket, Mounting - Coil
10	1623-938		2	Clamp, Routing	26	8468-640		2	Screw, Machine
11	1707-956	X	2	Spar, Front	27	1623-984		1	Clamp, Routing
12	8408-630		5	Screw, Cap	28	8468-665		2	Screw, Machine
13	0607-248		1	Support, Chassis - Right	29	1707-570		1	Support, Steering
	1607-368	X	1	Support, Chassis - Left	30	1707-566		1	Spar, Rear - Right
14	2612-707		1	Tab, Spring	31	5706-225		1	Spar, Rear - Left (inc. 32-33)
15	8408-885		1	Screw, Cap	32	6606-391		1	● Bracket, Hold-Down - Seat-Base
16	1623-917		2	Bolt, Carriage	33	8060-484		2	● Rivet
17	8408-820		2	Screw, Cap					



FRONT BUMPER AND FRAME ASSEMBLY

0747-356

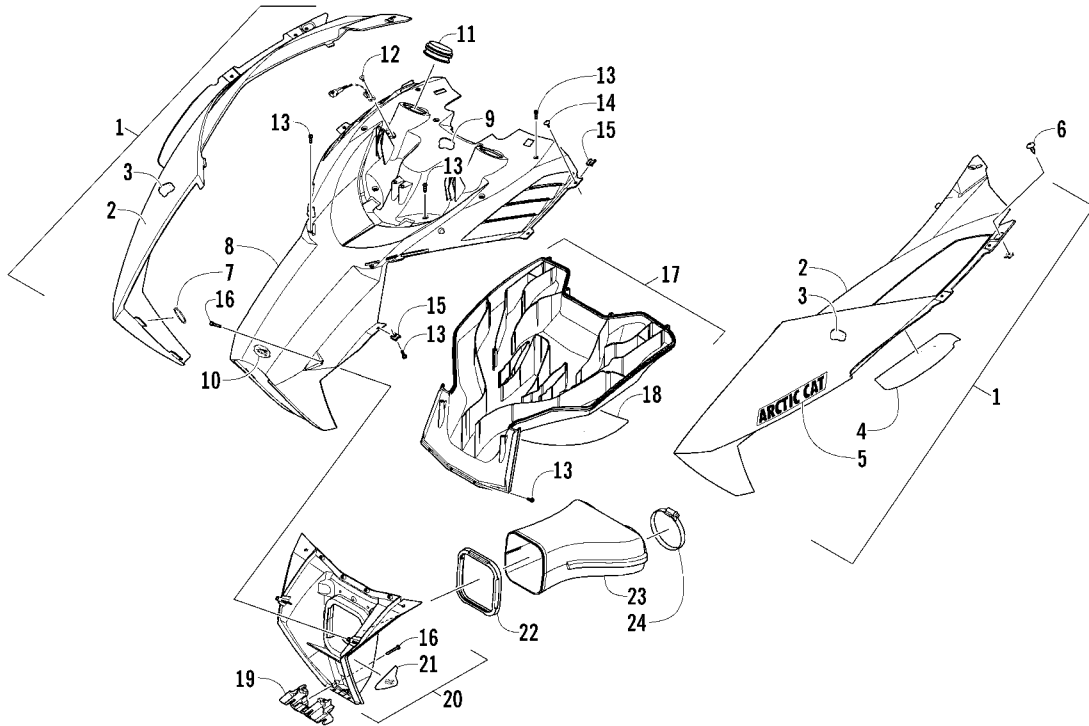
Ref	Part No.	New	Qty	Description	Ref	Part No.	New	Qty	Description
1	1707-961	X	1	Panel, Front - Assembly - Black (inc. 2-6)	18	1707-844		1	Frame, Front - Lower
2	0423-577		8	● Clip, U-Nut	19	1623-797		2	Insert
3	1623-683		1	● Screw, Self-Tapping	20	8427-802		4	Nut, Lock
4	2612-707		1	● Tab, Spring	21	1623-817		4	Screw, Shoulder
5	0423-538		10	● Screw, Self-Tapping	22	8060-686		18	Rivet
6	1707-668		1	● Bracket, Shock Mount - Upper Right - Black	23	8468-620		2	Screw, Machine
	1707-669		1	● Bracket, Shock Mount - Upper Left - Black	24	0607-983		1	Belly Pan - Center
7	8413-617		8	Screw, Cap	25	8476-520		2	Screw, Machine
8	1607-233		4	Bracket, Mounting - Upper A-Arm	26	1623-052		1	Clip, U-Nut
9	8060-706		AR	Rivet	27	1607-063		1	Panel, Access
10	0607-603		1	Bracket, Reinforcement	28	6606-614		1	Belly Pan - Front
11	0607-991		1	Bracket, Steering Stop	29	1623-929		2	Screw, Self-Tapping
12	0630-323	X	1	Regulator/Rectifier	30	1623-129		7	Screw, Self-Tapping
13	8427-602		4	Nut, Lock	31	1707-596		1	Bumper, Front - Assembly - Black (inc. eight No. 9 and 32-33)
14	8477-650		2	Screw, Machine	32	1707-576		1	● Bracket, Mounting - Bumper - Right - Black
15	1623-959		5	Screw, Self-Tapping		1707-577		1	● Bracket, Mounting - Bumper - Left - Black
16	1605-028		1	Boot, Steering - Right	33	1707-578		1	● Bumper, Front - Black
	1605-029		1	Boot, Steering - Left	34	0423-609		4	Screw, Machine
17	0623-362		16	Clip, Retaining					



TUNNEL AND SNOWFLAP ASSEMBLY

0747-383

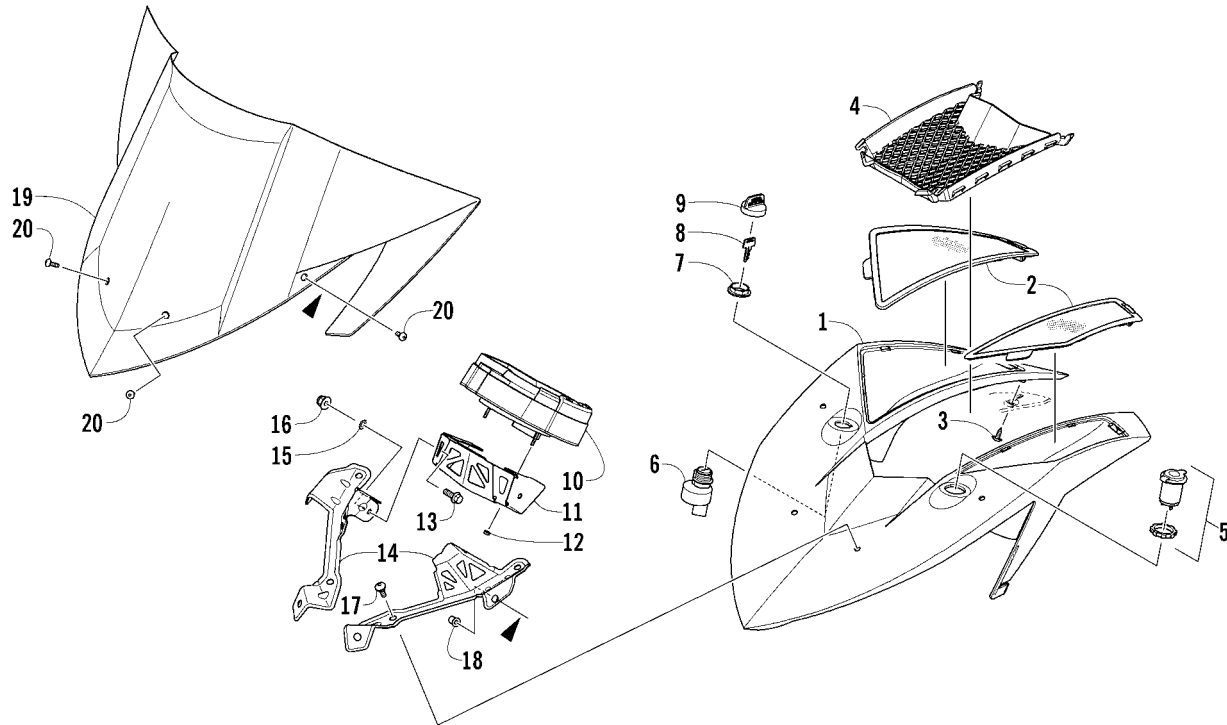
Ref	Part No.	New	Qty	Description	Ref	Part No.	New	Qty	Description
-	2707-051	X	1	Complete Chassis Assembly	22	1607-109		1	Protector, Chain Case
1	2707-249	X	1	Tunnel Assembly (inc. 2-13)	23	8061-708		9	Rivet
2	2707-248	X	1	● Tunnel, Front - Assembly (inc. 3-4)	24	0607-351		1	Protector, Brake Disc
3	1607-342	X	1	●● Bracket, Mounting - Suspension - Right	25	1607-371	X	1	Shield, Brake Disc
	1607-343	X	1	●● Bracket, Mounting - Suspension - Left	26	8408-613		2	Screw, Cap
4	8060-686	AR		●● Rivet	27	8470-520		1	Screw, Machine
5	1623-206		6	● Rivet	28	1623-130		2	Rivet
6	8422-502		6	● Nut, Lock	29	1607-092		2	Roll, Tunnel
7	1707-644		1	● Bracket, Mounting - Rear Spar - Right	30	0630-309		1	Protector, Harness - Taillight Extension
	1707-645		1	● Bracket, Mounting - Rear Spar - Left	31	1623-241	AR		Rivet
8	8476-512		6	● Screw, Machine	32	1607-162		1	Gusset, Running Board - Right
9	1623-257		2	● Rivet		1607-163		1	Gusset, Running Board - Left
10	8060-682	AR		● Rivet	33	1607-040		1	Gusset, Tunnel Roll - Right
11	1607-251		1	● Tunnel, Rear		1607-041		1	Gusset, Tunnel Roll - Left
12	8060-484	AR		● Rivet	34	0630-292		1	Protector, Harness - Taillight
13	1607-104		1	● End Cap, Tunnel	35	0621-724	X	2	Decal, Tunnel - "8000"
14	8476-820		2	Screw, Machine	36	0621-990	X	2	Decal, Reflector - Red
15	1707-454		1	Support, Footrest - Right - Black	37	8470-512		2	Screw, Machine
	1707-455		1	Support, Footrest - Left - Black	38	0630-279		1	Bracket, Mounting - Taillight
16	8427-802		2	Nut, Lock	39	0609-898		1	Taillight, LED
17	0744-076		1	Kit, Tool	40	6606-394		1	Snowflap
18	8468-536		4	Screw, Machine	41	5611-852		1	Decal, Warning - Towing (French)
19	1623-637		9	Clip, U-Nut	42	5611-853		1	Decal, Warning - Towing (English)
20	0607-996		1	Footrest - Right	43	8061-706		6	Rivet
	0607-997		1	Footrest - Left	44	1707-818		1	Bumper, Rear - Black
21	8470-516		4	Screw, Machine	45	8476-620		2	Screw, Machine
					46	8427-602		2	Nut, Lock
					47	6606-615		1	Bag, Spare Belt



HOOD AND AIR INTAKE ASSEMBLY

0747-384

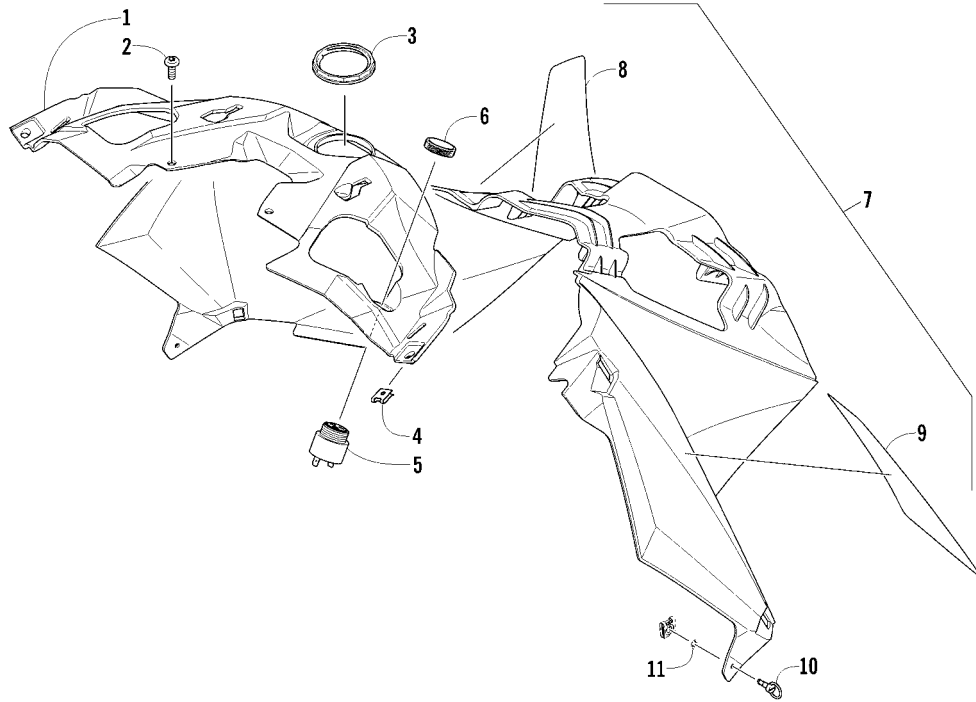
Ref	Part No.	New	Qty	Description	Ref	Part No.	New	Qty	Description
1	3718-874	X	1	Hood w/Decals - Right - White (inc. 2-3 and 5)	10	9611-751		1	Decal, "Arctic Cat"
	3718-875	X	1	Hood w/Decals - Left - White (inc. 2-5)	11	6606-386		2	Boot, Intake
2	3718-612		1	● Hood, Right - Assembly - White (inc. 3)	12	0623-165		2	Clip, Retaining
	3718-613		1	● Hood, Left - Assembly - White (inc. 3-4)	13	1623-933		15	Screw, Self-Tapping
3	0617-646		1	●● Foam, Hood - Right	14	0623-797		4	Screw, Self-Tapping
	0617-647		1	●● Foam, Hood - Left	15	1623-939		6	Clip, U-Nut
4	6606-407		1	●● Foil, Protective	16	1623-929		4	Screw, Self-Tapping
5	0621-732	X	2	● Decal, Hood - "Arctic Cat"	17	5706-358		1	Plenum, Intake - Lower Rear (inc. 18)
6	0623-784		2	Screw, Self-Tapping	18	6606-406		1	● Foil, Protective
7	1623-960		4	O-Ring	19	6606-822	X	1	Retainer, Plenum
8	5706-356		1	Plenum, Intake - Upper (inc. 9)	20	5706-357		1	Plenum, Intake - Lower Front (inc. 21)
9	0617-648		1	● Foam, Intake	21	0621-989	X	2	● Decal, Reflector - Amber
					22	0617-624		1	Adapter, Boot
					23	2670-328		1	Boot
					24	0423-018		2	Clamp



WINDSHIELD AND INSTRUMENTS ASSEMBLIES

0746-601

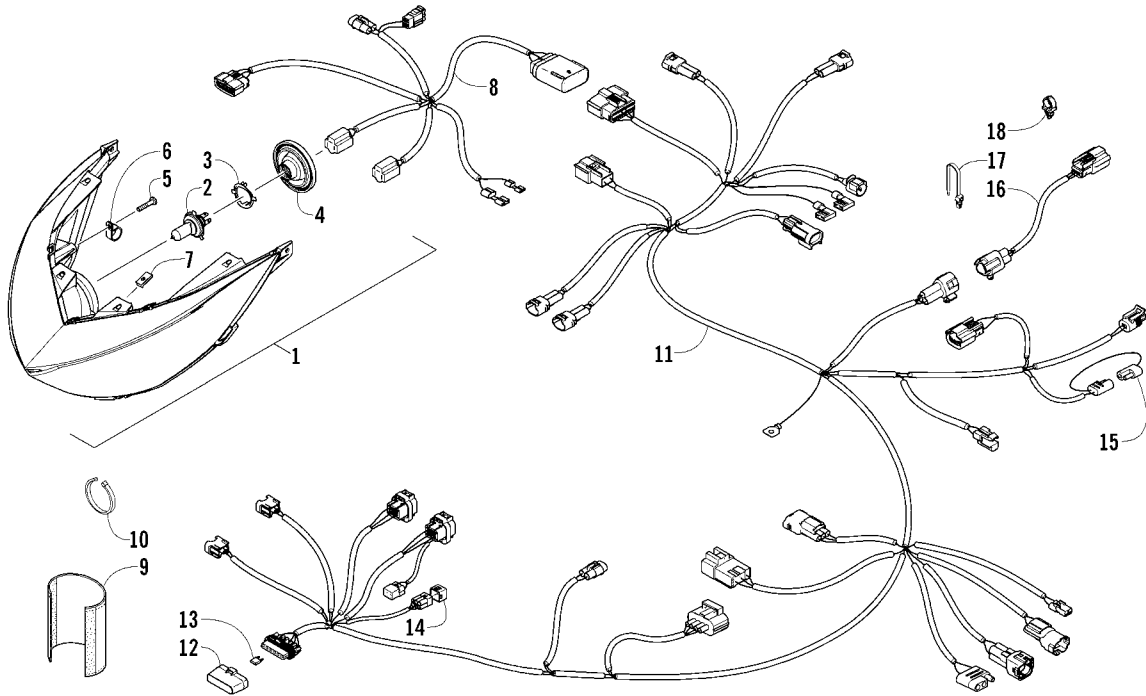
Ref	Part No.	New Qty	Description	Ref	Part No.	New Qty	Description
1	6606-313	1	Pod, Instrument - Black	11	6606-288	1	Bracket, Speedometer Gauge - Center
2	0608-640	1	Vent, Intake - Right	12	0423-493	2	Nut w/Washer
	0608-641	1	Vent, Intake - Left	13	8410-616	2	Screw, Cap
3	1623-129	2	Screw, Self-Tapping	14	6606-130	1	Bracket, Speedometer Gauge - Right
4	6606-556	1	Vent		6606-131	1	Bracket, Speedometer Gauge - Left
5	0641-897	1	Outlet, Accessory - 12V	15	8053-212	2	Washer, External Tooth Lock
6	0609-910	1	Switch, Ignition (inc. 7-9)	16	8427-602	2	Nut, Lock
7	0430-050	1	● Nut, Retaining	17	0423-355	4	Screw, Shoulder
8	0430-042	1	● Key, Ignition Y Series - Left-Side Cut	18	1623-764	4	Nut, Expansion
	0430-043	1	● Key, Ignition Z Series - Right-Side Cut	19	6606-578	1	Windshield - Low - White
9	0430-054	1	● Cover, Key	20	8477-516	4	Screw, Machine
10	0620-391	1	Gauge, Speedometer				



CONSOLE ASSEMBLY

0745-796

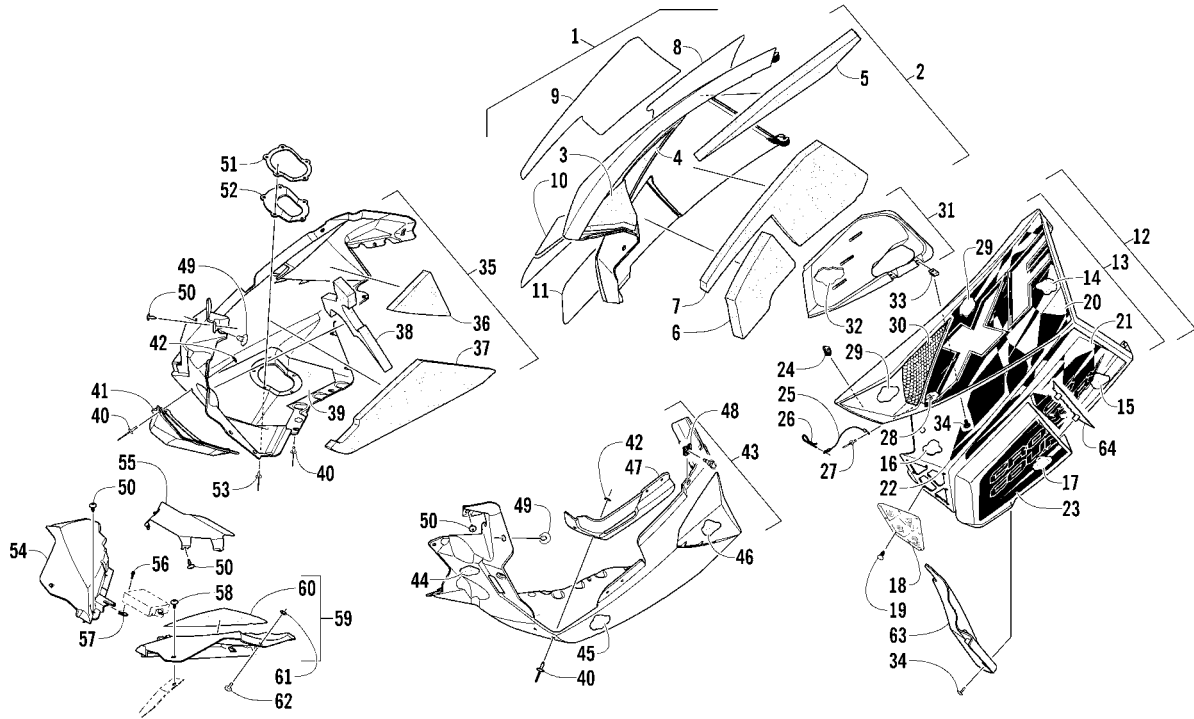
Ref	Part No.	New	Qty	Description	Ref	Part No.	New	Qty	Description
1	6606-308		1	Console, Upper - White	7	3718-998	X	1	Console, Lower - Black (inc. 8-9)
2	0423-396		2	Screw, Self-Tapping	8	9611-499		1	● Decal, Warning - English
3	6606-390		1	Nut, Retaining	9	9611-498		1	● Decal, Warning - French
4	1623-939		2	Clip, U-Nut	10	1623-746		2	Pin, Retaining
5	0630-243		1	Alarm, Reverse (inc. 6)	11	1623-747		2	Nut, Push
6	0630-017		1	● Ring, Retaining					



HEADLIGHT AND WIRING ASSEMBLIES

0746-749

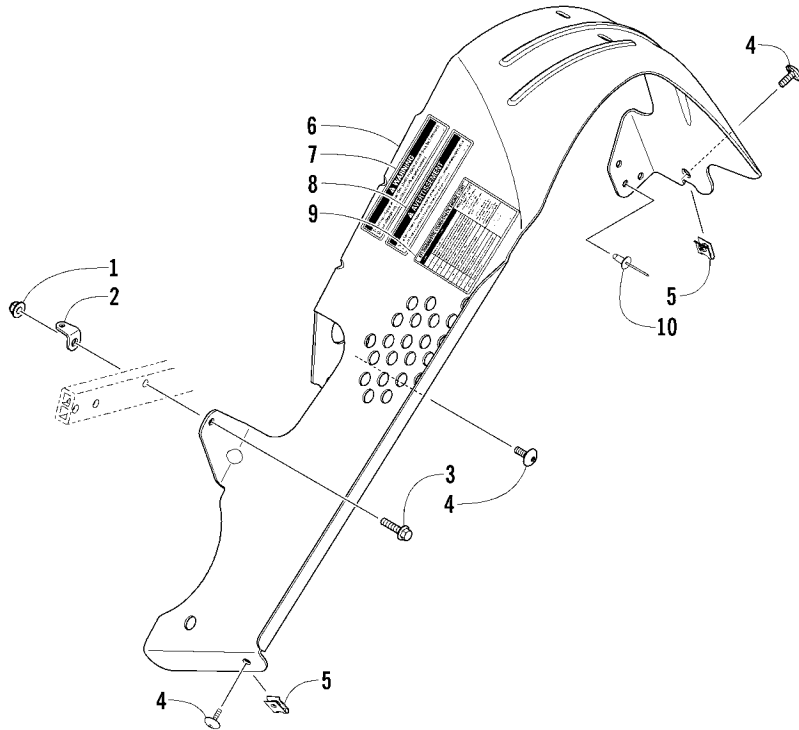
Ref	Part No.	New Qty	Description	Ref	Part No.	New Qty	Description
1	0609-899	1	Headlight Assembly (inc. 2-4)	11	1686-723	X 1	Harness, Main (inc. 12-15)
2	0109-724	2	● Bulb	12	0609-889	1	● Cover, Fuse Holder
3	0409-097	2	● Retainer	13	0430-068	1	● Fuse - 7.5 Amp
4	0609-919	2	● Boot		0430-031	1	● Fuse - 15 Amp
5	1623-915	4	Screw, Self-Tapping		0430-098	1	● Fuse - 20 Amp
6	1623-675	1	Clamp, Routing	14	0430-097	1	● Cover, Diagnostics Connector
7	0423-031	4	Clip, U-Nut	15	0486-164	1	● Tether, Accessory Connector
8	1686-638	1	Harness, Hood	16	1686-692	1	Harness, Extension - Taillight
9	5706-700	X 1	Wrap, Harness	17	0623-677	AR	Tie, Cable - Push-Mount
10	0123-811	AR	Tie, Cable - 4 in.	18	0623-101	1	Clip, Routing - Snap-In - Optional
	0123-788	AR	Tie, Cable - 8 in.				
	0123-903	AR	Tie, Cable - 11.5 in.				



SKID PLATE AND SIDE PANEL ASSEMBLY

0747-385

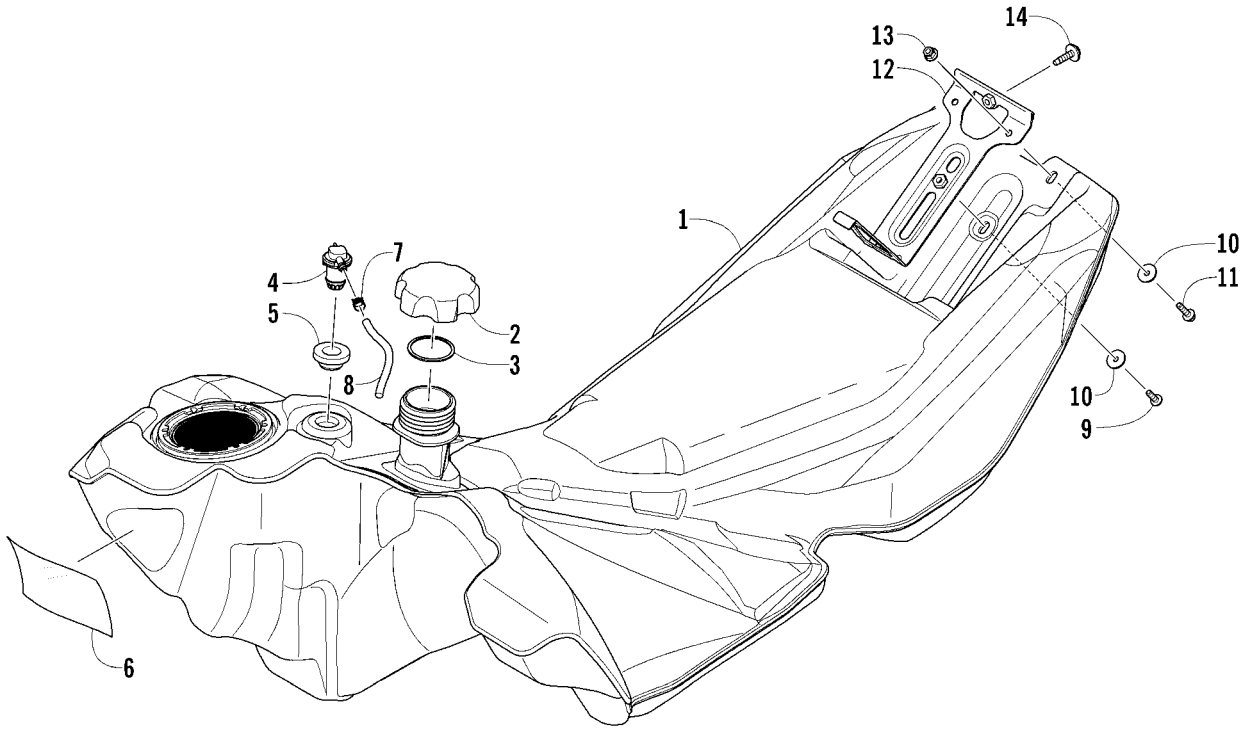
Ref	Part No.	New	Qty	Description	Ref	Part No.	New	Qty	Description
1	3718-876	X	1	Panel, Side - Right w/Decals - Black (inc. 2-11)	28	8050-127		2	Washer
2	3718-180		1	● Panel, Side - Right w/o Decals - Black (inc. 3-7)	29	0619-206	AR	1	Foil, Protective - 30 ft
3	0617-626		1	●● Foam, Side Panel - Upper Front - Right	30	5706-531		1	Screen, Intake
4	6606-414		1	●● Foil, Protective	31	1702-369	X	1	Duct, Air - Clutch (inc. 32)
5	0617-628		1	●● Foam, Side Panel - Upper Rear - Right	32	6606-694	X	1	● Foil, Protective
6	0617-632		1	●● Foam, Side Panel - Lower Front - Right	33	1623-030		2	Clip, U-Nut
7	0617-634		1	●● Foam, Side Panel - Lower Rear - Right	34	0623-797		4	Screw, Self-Tapping
8	0621-730	X	1	● Decal, Side Panel - Upper - Right	35	3718-422		1	Plate, Skid - Right w/o Decals - Black (inc. 36-42)
9	0621-742	X	1	● Decal, Side Panel - Lower Rear - Right	36	0617-640		1	● Foam, Skid Plate - Upper Rear - Right
10	0621-734	X	1	● Decal, Side Panel - Center - Right	37	0617-638		1	● Foam, Skid Plate - Center Front - Right
11	0621-740	X	1	● Decal, Side Panel - Lower Front - Right	38	0617-636		1	● Foam, Skid Plate - Upper Front - Right
12	3718-877	X	1	Panel, Side - Left w/Decals - Black (inc. 13-23)	39	2612-850		1	● Foil, Protective
13	4718-101	X	1	● Panel, Side - Left w/o Decals - Black (inc. 14-19)	40	8061-708		26	● Rivet
14	0617-629		1	●● Foam, Side Panel - Upper Rear - Left	41	2612-754		1	● Deflector, Heat
15	0617-635		1	●● Foam, Side Panel - Lower Rear - Left	42	0123-802		8	● Washer
16	0617-631		1	●● Foam, Side Panel - Center Front - Left	43	3718-789		1	Plate, Skid - Left w/o Decals - Black (inc. 44-47)
17	0617-681		1	●● Foam, Side Panel - Lower Front - Left	44	0617-637		1	● Foam, Skid Plate - Upper Front - Left
18	2602-704	X	1	●● Screen, Vent	45	0617-639		1	● Foam, Skid Plate - Center Front - Left
19	0623-269		8	●● Clip, Retaining	46	0617-641		1	● Foam, Skid Plate - Upper Rear - Left
20	0621-731	X	1	● Decal, Side Panel - Upper - Left	47	6606-613		1	● Panel, Reinforcement
21	0621-743	X	1	● Decal, Side Panel - Lower Rear - Left	48	1623-748		2	Clip, Retaining
22	0621-735	X	1	● Decal, Side Panel - Center - Left	49	6606-592	X	2	Pin, Retaining
23	0621-741	X	1	● Decal, Side Panel - Lower Front - Left	50	1623-129		8	Screw, Self-Tapping
24	1623-637		1	Clip, U-Nut	51	2612-796		1	Plate, Exhaust Outlet
25	0607-447		2	Cable	52	2612-795		1	Seal, Exhaust Outlet
26	0605-283		2	Clip, Hairpin	53	8061-710		6	Rivet
27	8060-486		2	Rivet	54	6606-342		1	Fascia, Front Right - Black
					55	6606-295		1	Shield, Heat - ECM
					56	8408-620		2	Screw, Cap
					57	0423-031		2	Clip, U-Nut
					58	0623-784		2	Screw, Self-Tapping
					59	3718-303		1	Fascia, Front Left - Black (inc. 60)
					60	6606-405		1	● Foil, Protective
					61	2623-001		1	Nut, Push
					62	1623-999		1	Screw, Thumb
					63	2602-711	X	1	Deflector, Air
					64	2602-703	X	1	Retainer, Air Deflector



BELT GUARD ASSEMBLY

0747-360

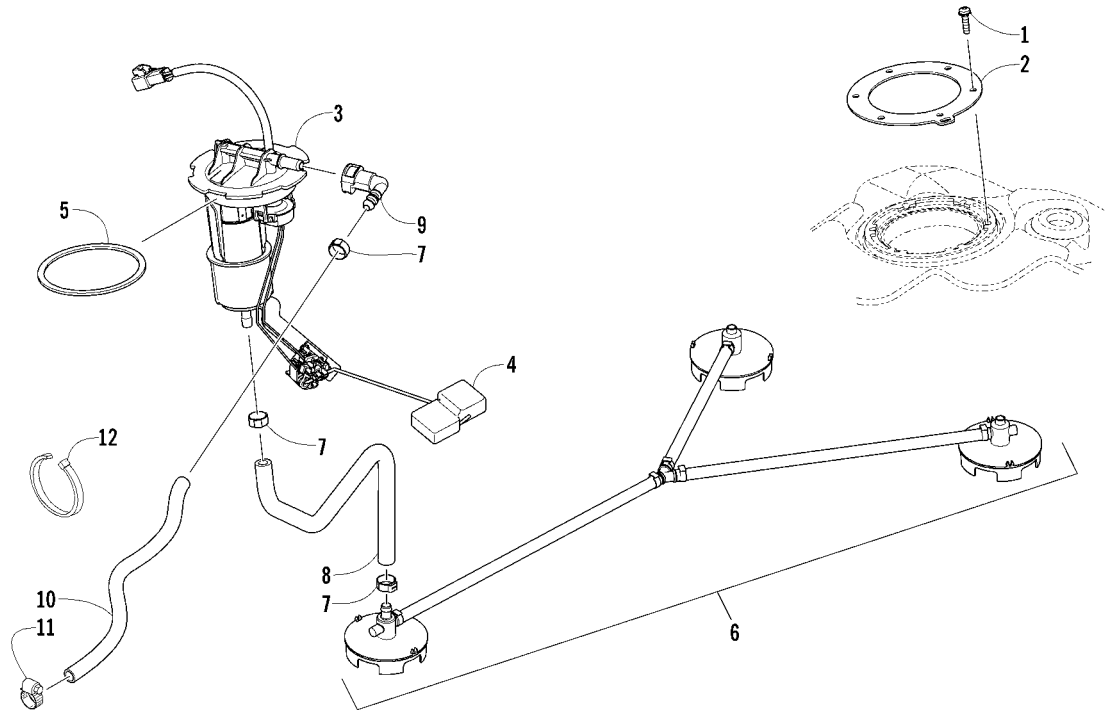
Ref	Part No.	New	Qty	Description	Ref	Part No.	New	Qty	Description
1	8427-502		1	Nut, Lock	6	2707-275	X	1	Guard, Belt (Inc.7-8)
2	2612-707		1	Tab, Spring	7	9611-690		1	● Decal, Warning - English
3	8408-525		1	Screw, Cap	8	9611-691		1	● Decal, Warning - French
4	0623-797		4	Screw, Self-Tapping	9	9611-743		1	Decal, EFI Diagnostic Codes
5	1623-052		2	Clip, U-Nut	10	8060-686		2	Rivet



GAS TANK ASSEMBLY

0746-755

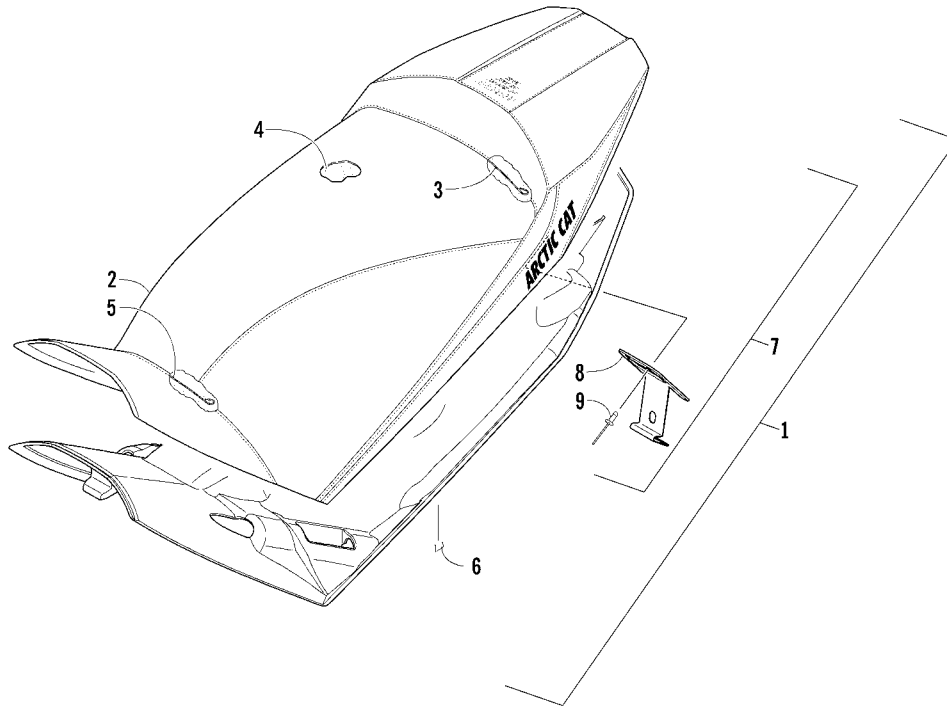
Ref	Part No.	New	Qty	Description	Ref	Part No.	New	Qty	Description
1	1770-050	X	1	Tank, Gas - Assembly (inc. 2-5)	9	8468-616		1	Screw, Machine
2	2670-153		1	● Cap, Gas Tank - Assembly (inc. 3)	10	8050-223		3	Washer
3	0109-733		1	●● Seal, Gas Tank Cap	11	8410-620		2	Screw, Machine
4	1670-787		1	● Valve, Check	12	5706-098		1	Bracket, Hold-Down
5	1670-822		1	● Grommet	13	8427-602		2	Nut, Lock
6	0619-206	AR		Foil, Protective - 30 ft	14	0423-609		1	Screw, Machine
7	1623-233		1	Clamp, Hose					
8	6101-009	AR		Hose, Gasline - 50 ft					
	6101-001	AR		Hose, Gasline - 100 ft					



FUEL PUMP ASSEMBLY

0745-784

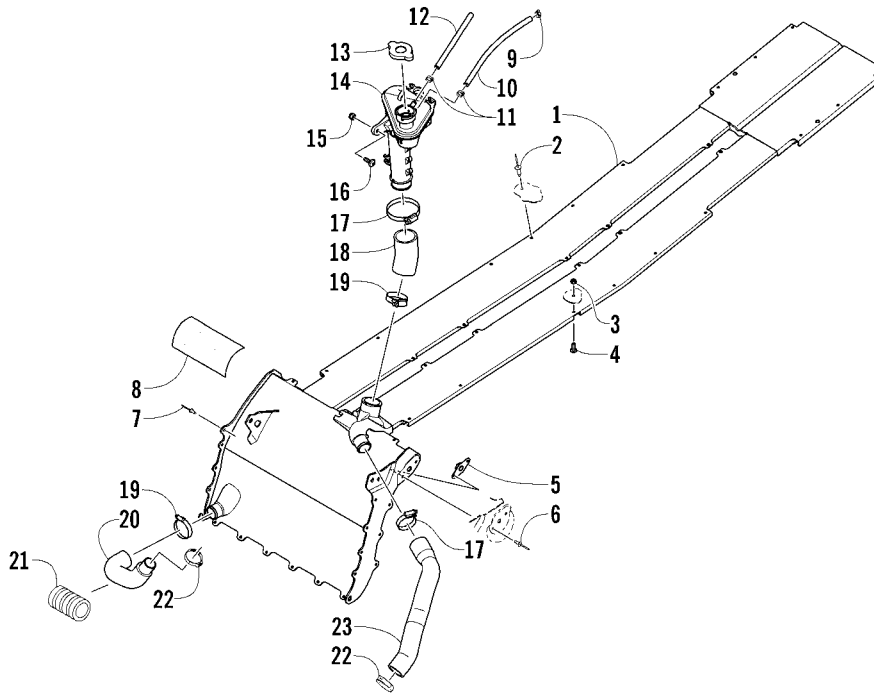
Ref	Part No.	New	Qty	Description	Ref	Part No.	New	Qty	Description
1	0423-898		6	Screw, Self-Tapping	8	2670-442	X	1	Hose, Fuel Pump/Pickup
2	2670-042		1	Plate, Retaining - Fuel Pump	9	1670-878		1	Fitting, Quick-Connect
3	2670-273		1	Pump, Fuel - Assembly (inc. 4)	10	0610-691	AR		Hose, Gasline - 10 ft
4	2670-235		1	● Float	11	0623-373		1	Clamp, Hose
5	0470-838		1	Seal	12	0123-788	AR		Tie, Cable - 8 in.
6	2670-377	X	1	Pickup, Fuel - Assembly		0123-903	AR		Tie, Cable - 11.5 in.
7	0610-563		3	Clamp, Hose					



SEAT ASSEMBLY

0747-328

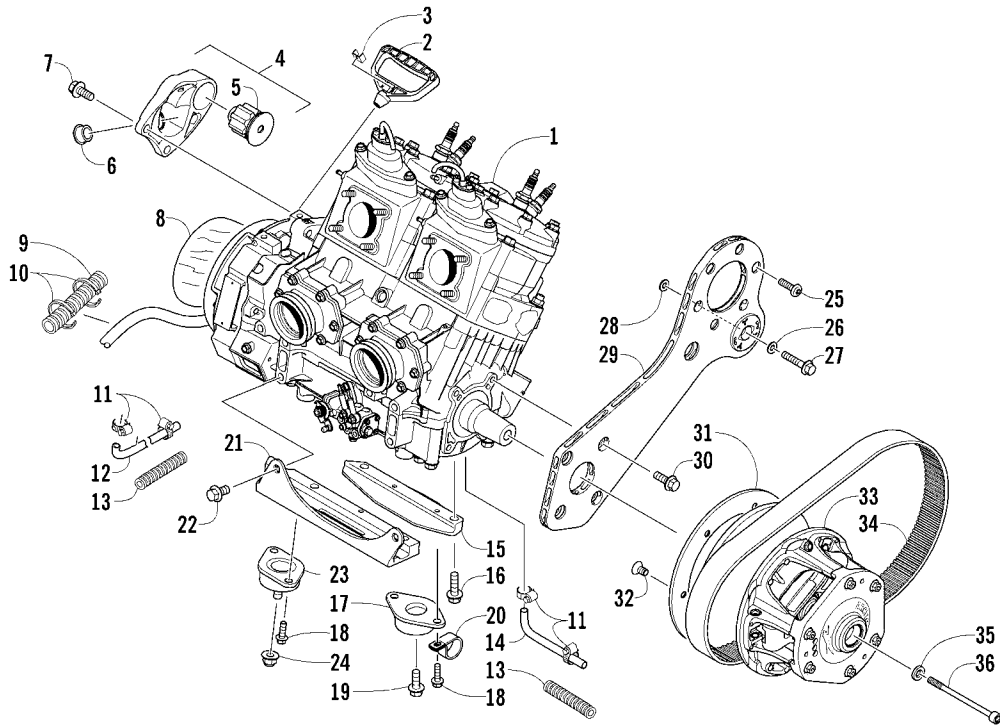
Ref	Part No.	New	Qty	Description	Ref	Part No.	New	Qty	Description
1	5706-575	X	1	Complete Seat Assembly - Black (inc. 2-9)	5	6606-461		1	● Wire, Seat
2	5706-574	X	1	● Cover, Seat - Black (inc. 3)	6	0624-528	AR		● Staple
3	3606-369		1	●● Wire, Seat	7	5706-240		1	● Seat-Base (inc. 8-9)
4	0717-215	X	1	● Foam, Seat	8	6606-452		1	●● Latch, Seat
					9	8061-686		2	●● Rivet



COOLING ASSEMBLY

0747-362

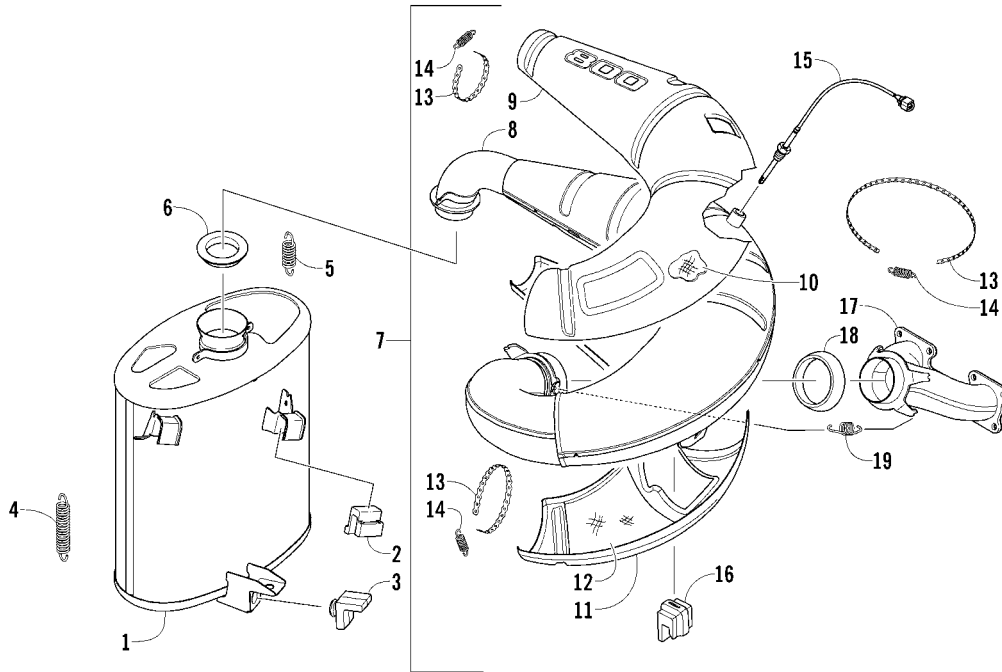
Ref	Part No.	New	Qty	Description	Ref	Part No.	New	Qty	Description
1	0713-115	X	1	Exchanger, Heat	13	2606-284		1	Cap
2	8060-682		AR	Rivet	14	0613-135	X	1	Tank, Coolant
3	8422-502		2	Nut, Lock	15	8422-602		1	Nut, Lock
4	8476-516		2	Screw, Machine	16	8476-625		1	Screw, Machine
5	0608-631		1	Plate, Retaining	17	0423-317		2	Clamp, Hose
6	8060-688		2	Rivet	18	0610-936	X	1	Hose, Coolant - Filler Neck/Heat Exchanger
7	8060-686		AR	Rivet	19	1623-981		2	Clamp, Hose
8	0619-206		AR	Foil, Protective - 30 ft	20	0610-864		1	Hose, Coolant - Engine/Heat Exchanger
9	1623-619		1	Clamp, Hose	21	0619-619		1	Conduit, Flexible - 4 in.
10	0610-538		AR	Hose - 25 ft	22	1623-656		2	Clamp, Hose
11	1623-655		2	Clamp, Hose	23	0613-136	X	1	Hose, Coolant - Heat Exchanger/Engine
12	0610-692		AR	Hose - Green - 25 ft					
	0610-693		AR	Hose - Green - 100 ft					



ENGINE AND RELATED PARTS

0746-676

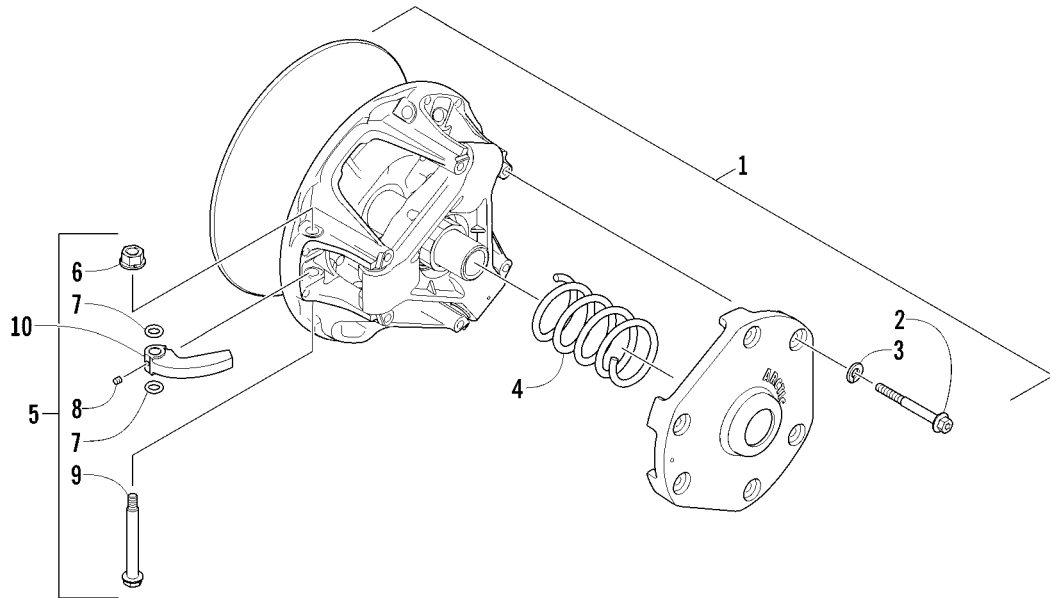
Ref	Part No.	New Qty	Description	Ref	Part No.	New Qty	Description
1	0662-609	1	Engine, AB80L4 w/o EFI Components	19	8409-017	1	Screw, Cap
2	0636-363	1	Handle, Recoil	20	1623-080	1	Clamp, Routing
3	0606-885	1	Cap, Recoil Handle	21	0708-600	1	Plate, Engine Mounting - Lower Front
4	0708-582	1	Bracket, Engine Mounting - MAG (inc. 5-6)	22	8409-021	2	Screw, Cap
5	0608-630	1	● Mount, Engine	23	0708-587	2	Mount, Engine - Lower
6	0608-633	1	● Bushing	24	8427-002	2	Nut, Lock
7	8409-026	2	Screw, Cap	25	8468-617	6	Screw, Machine
8	4606-425	1	Foil, Protective	26	8050-242	1	Washer
9	1619-131	1	Conduit, Flexible - (3/4 in. ID) - 12 in.	27	1623-932	1	Screw, Cap
10	0123-788	AR	Tie, Cable - 8 in.	28	0623-987	1	Washer, Spring
11	0623-373	4	Clamp, Hose	29	0708-622	1	Plate, Engine Mounting - PTO
12	0610-923	1	Hose, Coolant - MAG/Throttle Body	30	1623-937	4	Screw, Cap
13	0619-776	AR	Conduit, Flexible - 5 ft	31	0645-410	1	Ring, Damper
14	0610-878	1	Hose, Coolant - PTO/Throttle Body	32	1623-821	6	Screw, Machine
15	0708-602	1	Plate, Engine Mounting - Lower Rear	33	0746-435	1	Clutch, Drive - Uncalibrated
16	8409-036	4	Screw, Cap	34	0627-084	1	Belt, Drive
17	0608-496	1	Mount, Engine - Lower	35	1623-649	1	Washer, High Collar
18	1623-944	6	Screw, Shoulder	36	1623-792	1	Bolt, Clutch



EXHAUST ASSEMBLY

0747-103

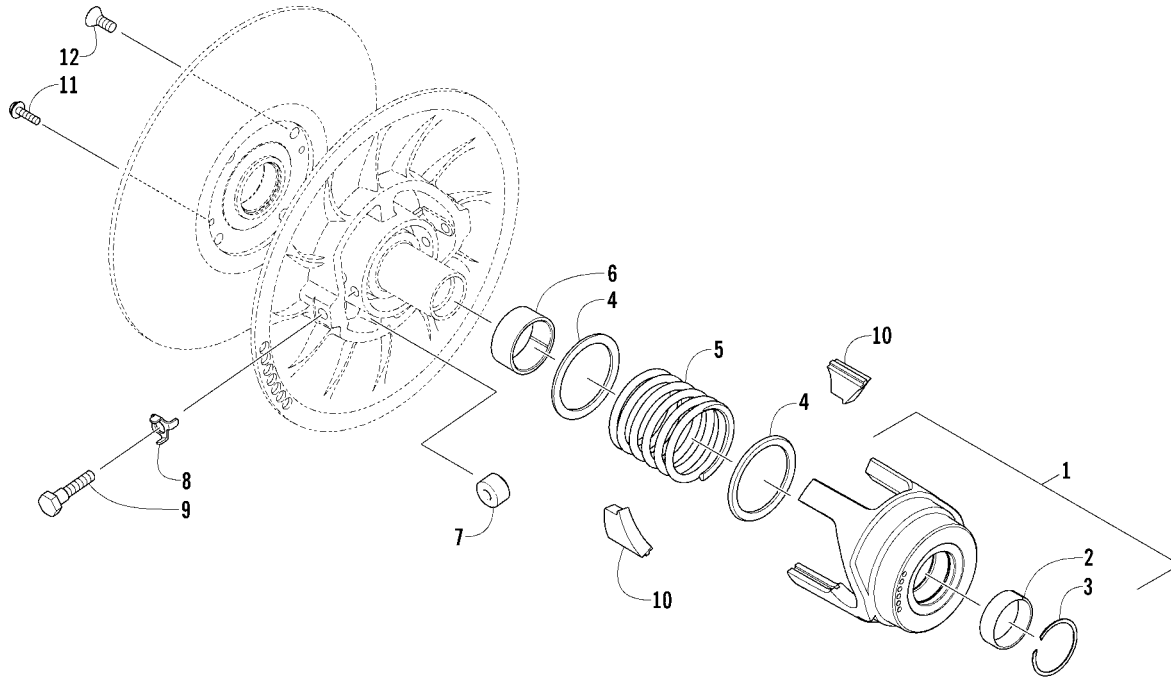
Ref	Part No.	New Qty	Description	Ref	Part No.	New Qty	Description
1	1712-807	1	Resonator Assembly	11	2612-659	1	● Cover, Expansion Chamber - Lower
2	2612-893	2	Grommet, Resonator Mount	12	2612-661	1	● Packing, Expansion Chamber - Lower
3	2612-706	1	Grommet, Resonator Mount	13	0624-552	AR	● Tie, Perforated Band - 5 ft
4	2612-949	X 1	Spring, Exhaust		0624-541	AR	● Tie, Perforated Band - 25 ft
5	0612-471	4	Spring, Exhaust	14	1612-178	4	● Spring, Exhaust
6	1612-619	1	Gasket, Exhaust - Tailpipe	15	0630-260	1	Sensor, Exhaust Temperature
7	1712-771	1	Chamber, Expansion - Assembly (inc. 8-14)	16	2612-667	1	Grommet, Expansion Chamber Mount
8	1712-792	1	● Chamber, Expansion	17	1712-559	1	Manifold, Exhaust
9	2612-797	1	● Cover, Expansion Chamber - Upper	18	2612-059	1	Gasket, Exhaust - Manifold
10	2612-660	1	● Packing, Expansion Chamber - Upper	19	2612-399	4	Spring, Extension



DRIVE CLUTCH

0744-677

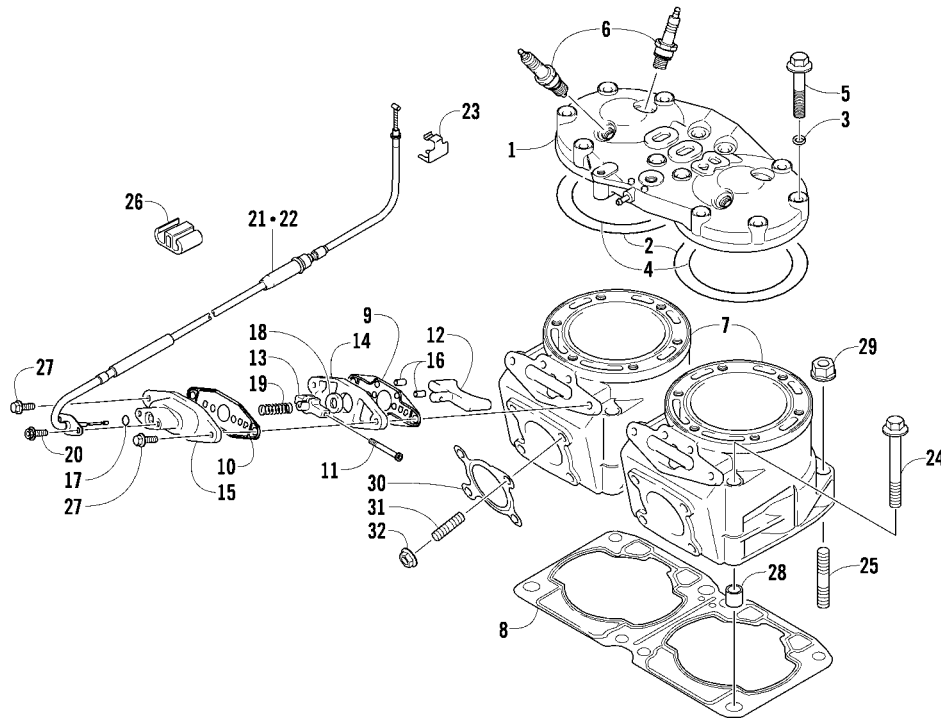
Ref	Part No.	New Qty	Description	Ref	Part No.	New Qty	Description
1	0746-435	1	Clutch, Drive - Uncalibrated (inc. 2-3)	8	1623-183	3	● Screw, Set
2	0646-431	6	● Screw, Shoulder	9	0646-747	3	● Pin, Cam Arm
3	0646-430	6	● Washer, Lock	10	0746-827	3	Arm, Cam (inc. 8)
4	0646-252	1	Spring, Drive Clutch - Green		0746-671	3	Arm, Cam (inc. 8) - 3-6,000 ft Alt.
5	4639-674	1	Kit, Cam Arm (inc. 6-9)		0746-703	3	Arm, Cam (inc. 8) - 6-9,000 ft Alt.
6	8048-366	3	● Nut, Lock		0746-670	3	Arm, Cam (inc. 8) - Over 9,000 ft Alt.
7	1602-692	6	● O-Ring				



DRIVEN CLUTCH

0746-958

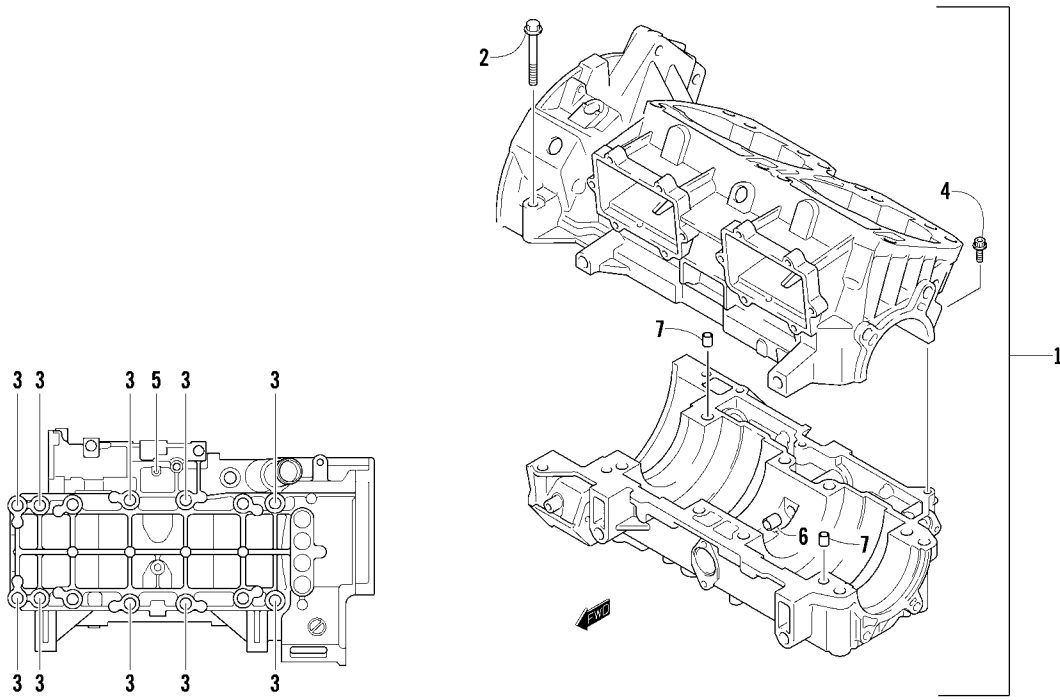
Ref	Part No.	New	Qty	Description	Ref	Part No.	New	Qty	Description
-	0726-342	X	1	Clutch, Driven - Assembly	6	0648-827		1	Spacer
1	0748-772	X	1	Bracket, Torque 42°/40° (inc. 2-3)	7	0648-824		2	Roller, Cam
	0748-770	X	1	Bracket, Torque 36° (inc. 2-3) - Over 3,000 ft Alt.	8	0648-800		2	Washer, Tab
2	0648-831	X	1	● Bearing	9	0648-799		2	Screw, Shoulder
3	0648-811		1	● Ring, Snap	10	0648-826		2	Cam, Back
4	0648-810		2	Seat, Spring	11	0623-684		2	Screw, Self-Tapping
5	0648-813		1	Spring, Driven Clutch - Blue	12	2623-050	X	4	Screw, Machine



CYLINDER AND HEAD ASSEMBLY

0743-638

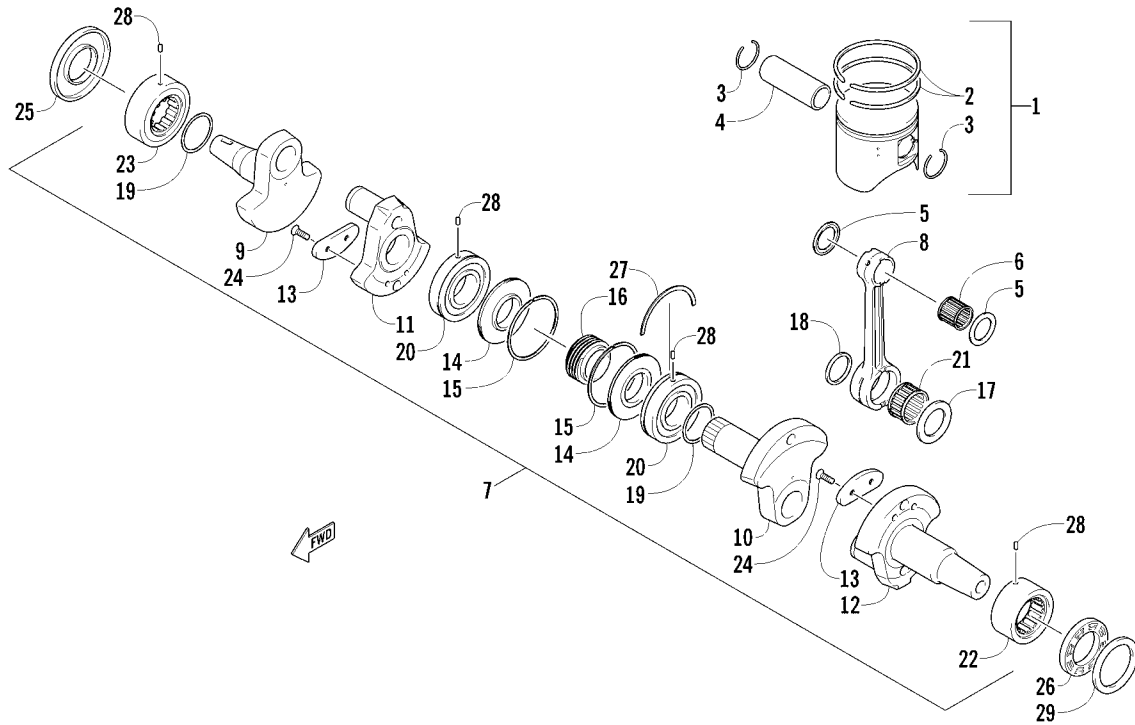
Ref	Part No.	New Qty	Description	Ref	Part No.	New Qty	Description
1	3007-873	1	Head, Cylinder	18	3007-731	2	Seal, Oil
2	3004-081	2	O-Ring	19	3006-484	2	Spring
3	3003-227	12	O-Ring	20	3007-433	4	Screw, Cap
4	3005-854	2	O-Ring	21	3007-456	1	Cable, Exhaust Valve - MAG
5	3006-538	12	Screw, Cap	22	3007-455	1	Cable, Exhaust Valve - PTO
6	0217-709	4	Plug, Spark - BR9EYA	23	3005-747	1	Holder, Exhaust Valve Cable
7	3007-849	2	Cylinder	24	3007-525	4	Screw, Cap
8	3007-874	1	Gasket, Cylinder	25	3005-847	4	Bolt, Stud
9	3007-705	2	Gasket, Exhaust Valve Case	26	3005-808	1	Clamp, Exhaust Valve Cable
10	3006-436	2	Gasket, Exhaust Valve Cover	27	3007-434	4	Screw, Cap
11	3005-983	2	Pin, Exhaust Valve	28	3004-975	4	Pin, Dowel
12	3007-875	2	Valve, Exhaust	29	3007-391	4	Nut
13	3005-860	2	Stopper, Exhaust Valve	30	3007-889	2	Gasket, Exhaust
14	3006-495	2	Plate, Exhaust Valve	31	3007-415	8	Bolt, Stud
15	3006-425	2	Cover, Exhaust Valve	32	3007-390	8	Nut
16	3006-321	4	Pin, Dowel	-	5639-520	1	Gasket Set - Not Illustrated
17	3005-226	2	O-Ring				



CRANKCASE ASSEMBLY

0742-053

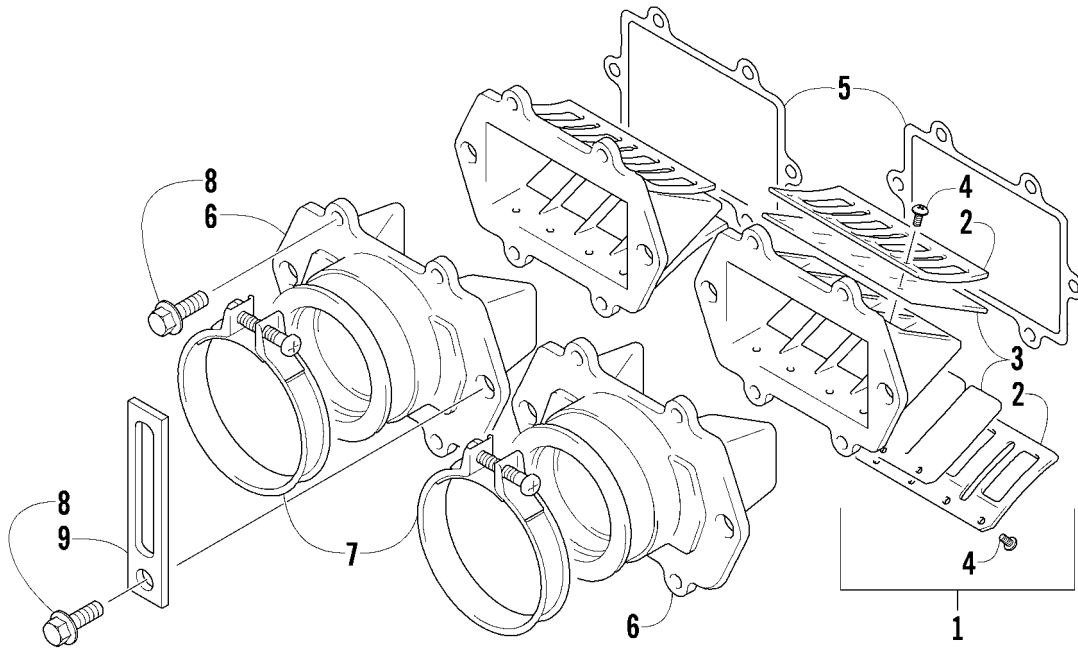
Ref	Part No.	New Qty	Description	Ref	Part No.	New Qty	Description
1	3007-876	1	Crankcase (inc. 2-7)	5	3007-527	1	● Screw, Cap
2	3006-538	2	● Screw, Cap	6	3003-647	1	● Bushing
3	3006-488	10	● Screw, Cap	7	3005-206	2	● Pin, Dowel
4	3007-445	2	● Screw, Cap				



PISTON AND CRANKSHAFT

0744-753

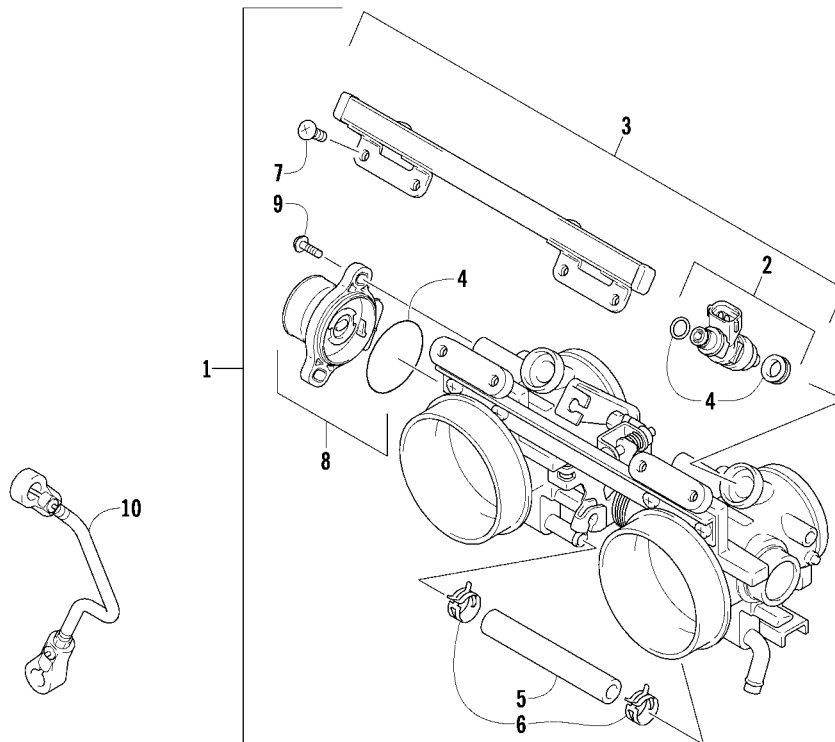
Ref	Part No.	New Qty	Description	Ref	Part No.	New Qty	Description
1	3007-877	2	Piston Set (inc. 2-3)	16	3007-885	1	● Gear, Oil Pump Drive
2	3006-394	2	● Ring Set, Piston	17	3004-147	2	● Washer
3	3005-304	4	● Circlip, Piston	18	3006-489	2	● Washer
4	3007-878	2	Pin, Piston	19	3008-495	2	● Washer
5	3008-500	4	Washer	20	3008-421	2	● Bearing
6	3008-503	2	Bearing	21	3007-532	2	● Bearing
7	3007-879	1	Crankshaft Assembly (inc. 8-24)	22	3007-439	1	● Bearing - Left
8	3007-880	2	● Connecting Rod	23	3006-551	1	● Bearing - Right
9	3007-881	1	● Crankshaft - Right	24	3007-440	4	● Screw, Machine
10	3007-882	1	● Crankshaft - Middle	25	3007-533	1	Seal, Oil - Right
11	3007-883	1	● Wheel, Crankshaft	26	3003-759	1	Seal, Oil - Left
12	3007-884	1	● Crankshaft - Left	27	3003-359	1	C-Ring
13	3007-667	2	● Balancer, Crankshaft	28	3003-658	4	Pin, Alignment
14	3006-508	2	● Race, Middle Crank Seal	29	3006-552	1	Spacer, Oil Seal
15	3005-508	2	● Ring, Middle Crank Seal				



REED VALVE ASSEMBLY

0742-060

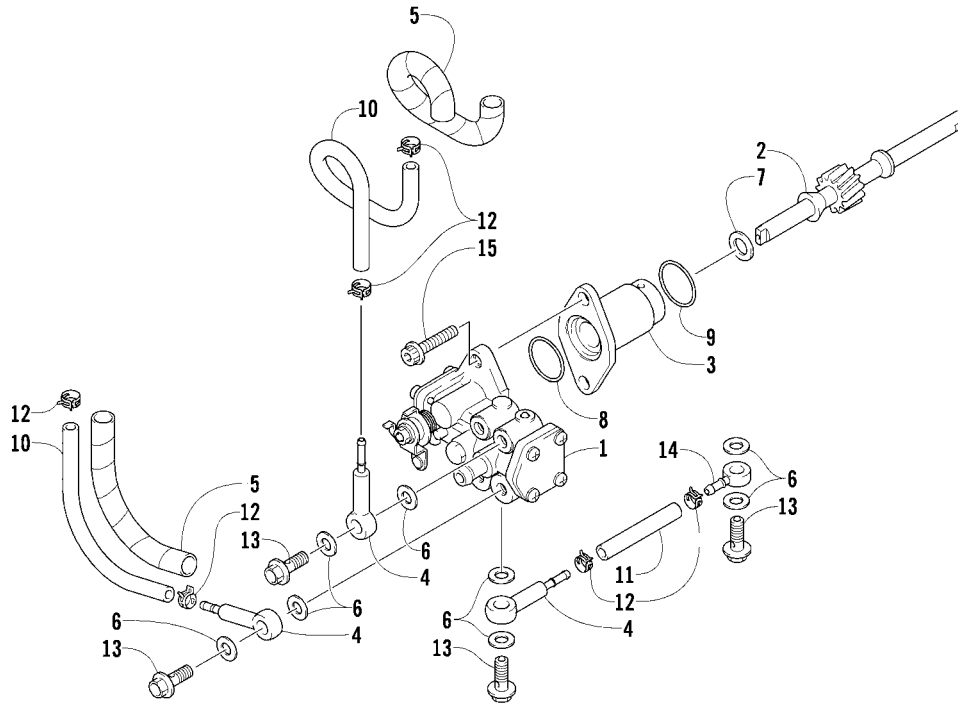
Ref	Part No.	New Qty	Description	Ref	Part No.	New Qty	Description
1	3007-886	2	Valve, Reed - Assembly (inc. 2-4)	6	3006-527	2	Pipe, Intake
2	3007-887	4	● Stopper	7	3402-455	2	Clamp
3	3007-888	4	● Valve, Reed	8	3007-380	12	Screw, Cap
4	3004-506	16	● Screw, Machine	9	1623-984	1	Clamp, Routing - Optional
5	3005-879	2	Gasket				



THROTTLE BODY ASSEMBLY

0742-062

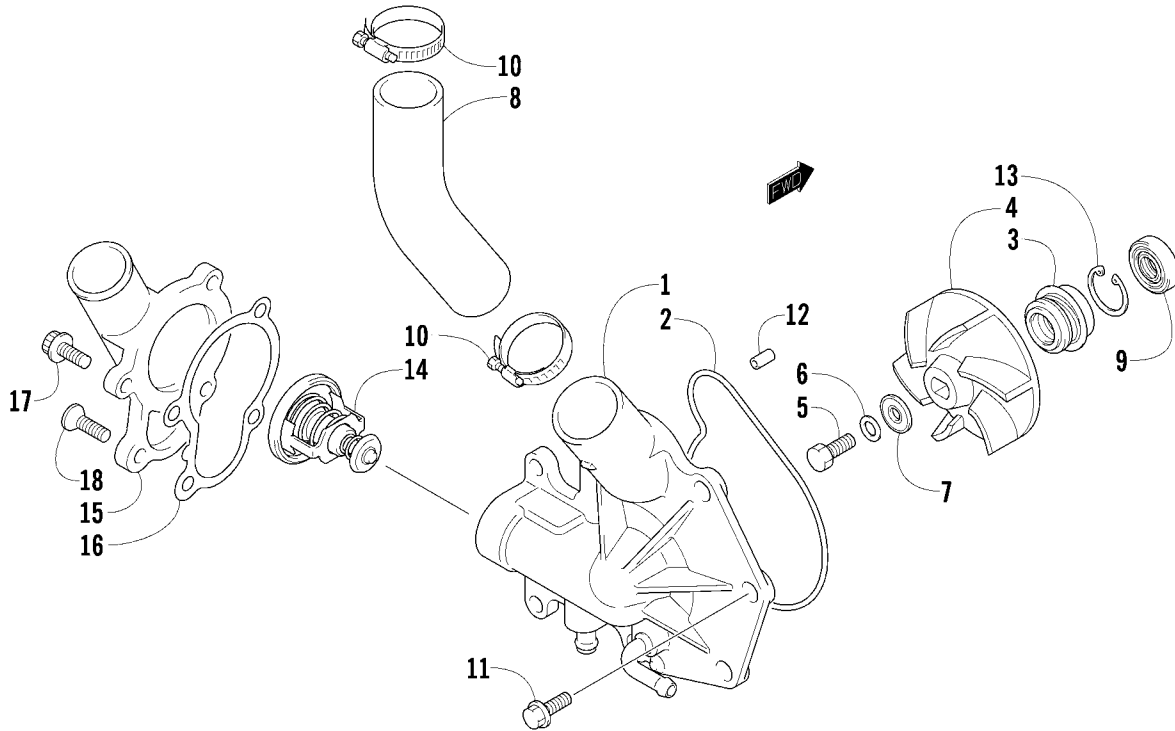
Ref	Part No.	New Qty	Description	Ref	Part No.	New Qty	Description
1	3007-890	1	Body, Throttle - Assembly (inc. 2-9)	5	3006-723	1	● Hose
2	3007-891	2	● Injector, Fuel - Assembly - ●	6	3004-193	2	● Clamp, Hose
	3007-892	2	● Injector, Fuel - Assembly - ■	7	3007-443	4	● Screw, Machine
	3007-893	2	● Injector, Fuel - Assembly - ▲	8	3006-939	1	● Sensor, Throttle - Assembly
3	3007-442	1	● Pipe, Delivery	9	3007-026	2	● Screw, Machine
4	3005-692	1	● O-Ring - Set	10	3007-538	1	Rod, Control



OIL PUMP

0743-629

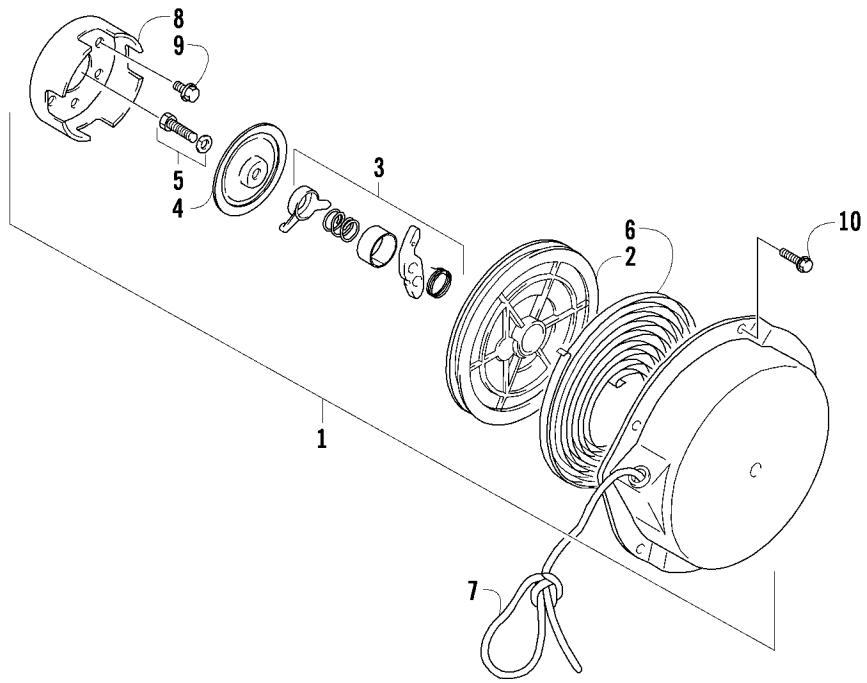
Ref	Part No.	New Qty	Description	Ref	Part No.	New Qty	Description
1	3007-894	1	Pump, Oil	9	3005-126	1	O-Ring
2	3007-895	1	Gear, Driven	10	3008-035	2	Hose, Oil
3	3007-910	1	Retainer, Input Shaft	11	3005-357	1	Hose, Oil
4	3003-217	3	Valve, Check	12	3008-037	6	Clamp, Hose
5	3005-032	2	Protector	13	3004-346	4	Bolt, Union
6	3402-009	8	Gasket	14	3003-661	1	Union
7	3423-300	1	Shim, Oil Pump Shaft	15	3007-445	2	Screw, Cap
8	3008-030	1	O-Ring				



WATER PUMP AND THERMOSTAT

0742-079

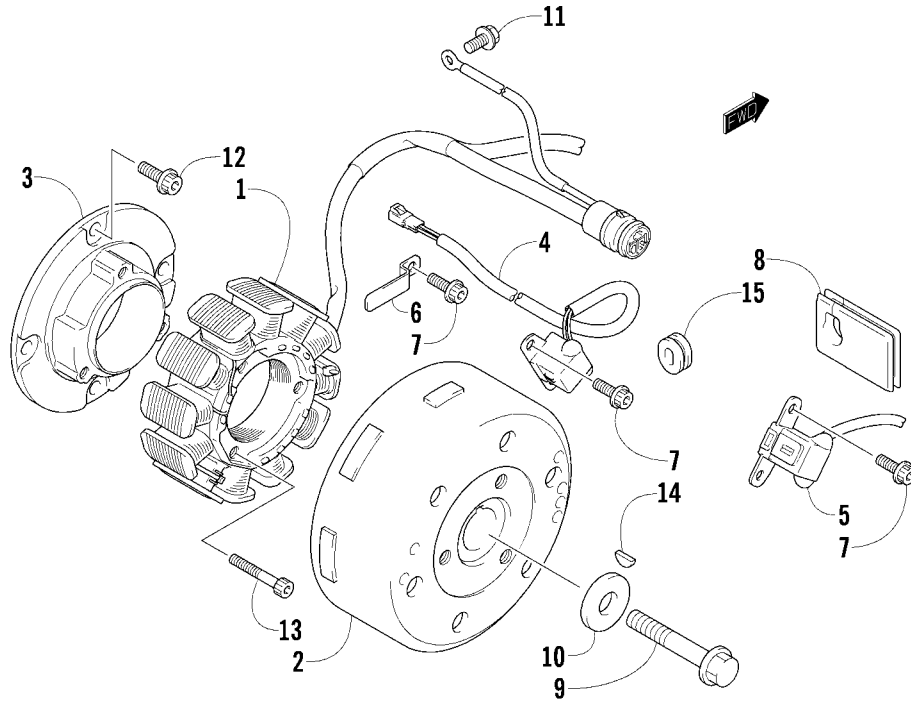
Ref	Part No.	New	Qty	Description	Ref	Part No.	New	Qty	Description
1	3007-540		1	Cover, Water Pump	10	3004-786		2	Clamp, Hose
2	3007-541		1	O-Ring, Cover	11	3007-409		7	Screw, Cap
3	3007-180		1	Seal	12	3005-899		2	Pin, Dowel
4	3007-896		1	Impeller	13	3004-009		1	Circlip
5	3003-426		1	Screw, Cap	14	3007-041		1	Thermostat
6	3003-431		1	Washer	15	3007-304		1	Cap, Thermostat
7	3003-432		1	Washer	16	3007-543		1	Gasket, Thermostat Cap
8	3007-542		1	Hose, Water Inlet	17	3007-446		3	Screw, Cap
9	3007-431		1	Seal, Oil	18	3007-306		1	Screw, Machine



RECOIL STARTER

0741-373

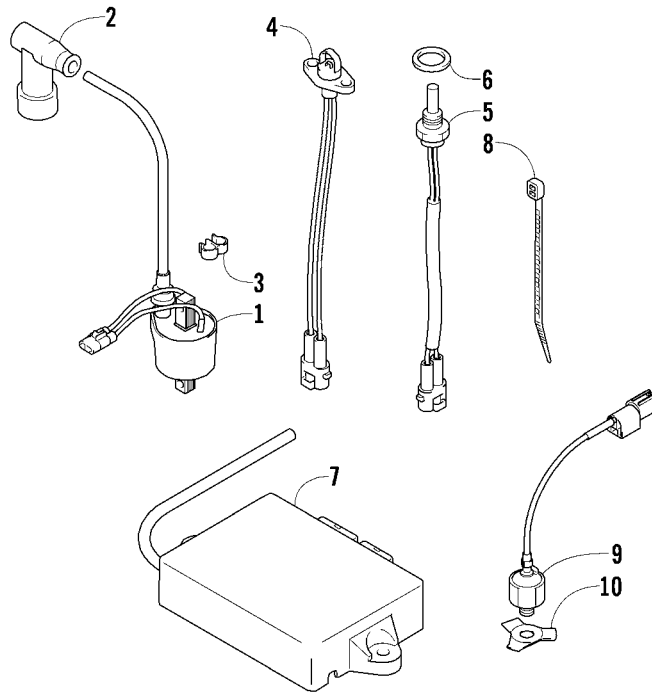
Ref	Part No.	New	Qty	Description	Ref	Part No.	New	Qty	Description
1	3007-307	1	1	Starter Assembly (inc. 2-6)	6	3007-312	1	1	● Spring
2	3007-308	1	1	● Roller, Starter	7	3006-889	1	1	Rope, Starter
3	3007-309	1	1	● Ratchet Set	8	3007-544	1	1	Pulley, Starter
4	3007-310	1	1	● Plate, Friction	9	3007-407	3	3	Screw, Cap
5	3007-311	1	1	● Bolt w/Washer	10	3423-346	5	5	Screw, Cap



MAGNETO

0742-081

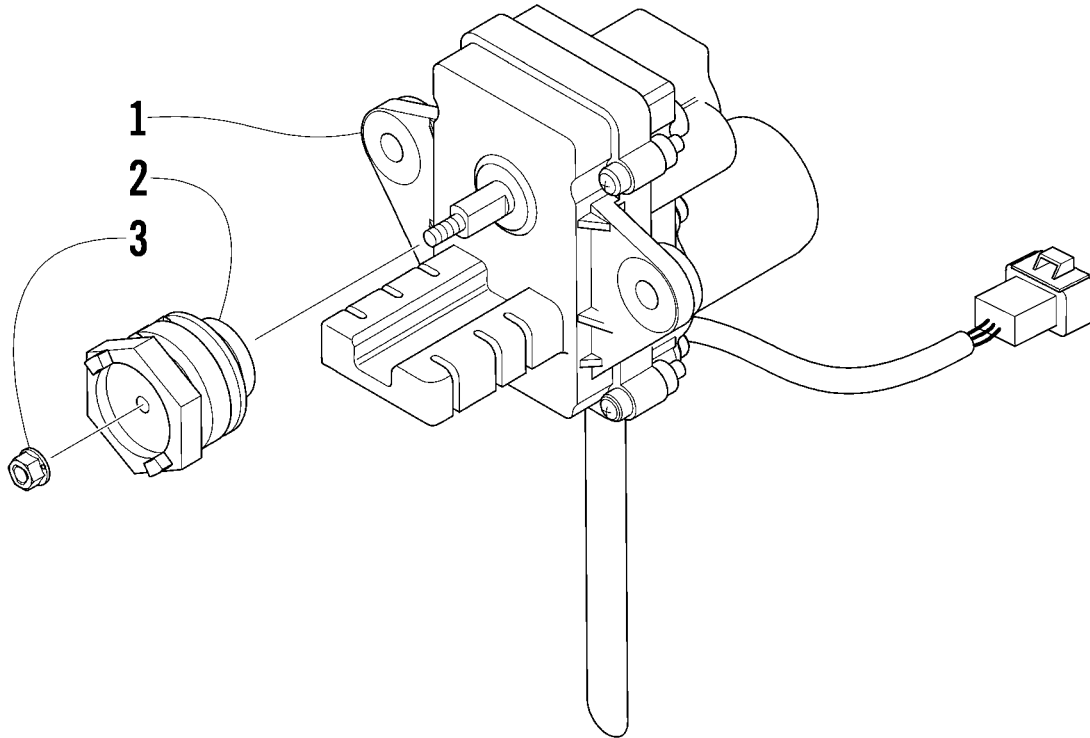
Ref	Part No.	New Qty	Description	Ref	Part No.	New Qty	Description
1	3007-711	1	Stator	9	3006-476	1	Screw, Cap
2	3007-315	1	Rotor/Flywheel	10	3005-987	1	Washer
3	3007-546	1	Base, Stator - Plate	11	3007-371	1	Screw, Cap
4	3007-317	1	Sensor, Ignition Timing	12	3007-449	4	Screw, Cap
5	3007-318	1	Sensor, Ignition Timing	13	3007-450	3	Screw, Cap
6	3005-960	1	Plate, Stator Lead Wire	14	3004-540	1	Key
7	3007-433	5	Screw, Cap	15	3007-547	1	Grommet
8	3005-775	1	Grommet, Stator Lead Wire				



ELECTRICAL

0742-083

Ref	Part No.	New	Qty	Description	Ref	Part No.	New	Qty	Description
1	3007-548		4	Coil, Ignition - Assembly	7	0730-209	X	1	ECM - ●
2	3006-367		4	Cap, Spark Plug		0730-210	X	1	ECM - ■
3	3005-387		2	Clip		0730-211	X	1	ECM - ▲
4	3006-728		1	Sensor, Temperature	8	3005-237		1	Cable Tie
5	3006-725		1	Sensor, Coolant	9	3006-886		1	Sensor, Knock
6	3005-233		1	Washer, Coolant Sensor	10	3007-549		1	Plate, Knock Sensor Lock



SERVOMOTOR ASSEMBLY

0739-377

Ref	Part No.	New Qty	Description	Ref	Part No.	New Qty	Description
1	3007-702	1	Servomotor	3	3007-550	1	Nut
2	3005-661	1	Pulley, Controller				

